

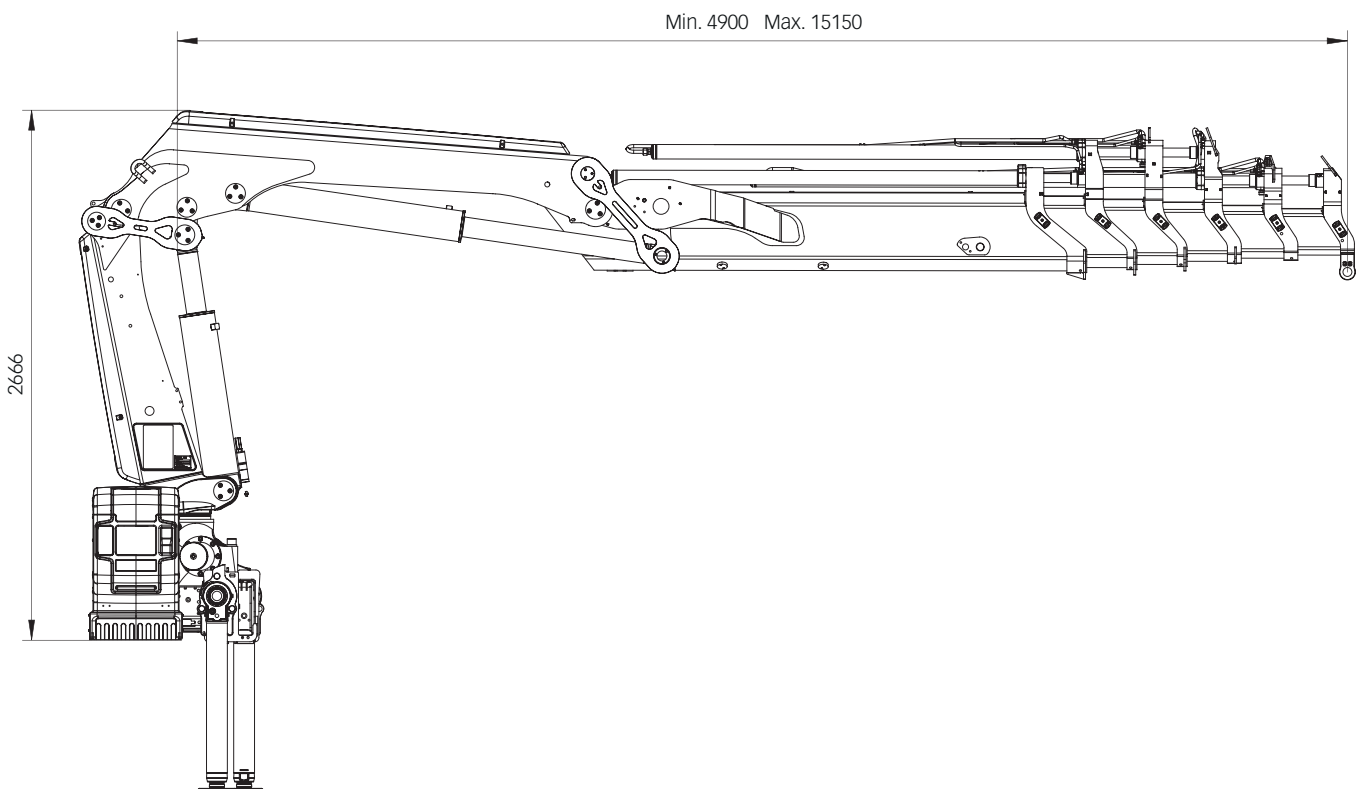
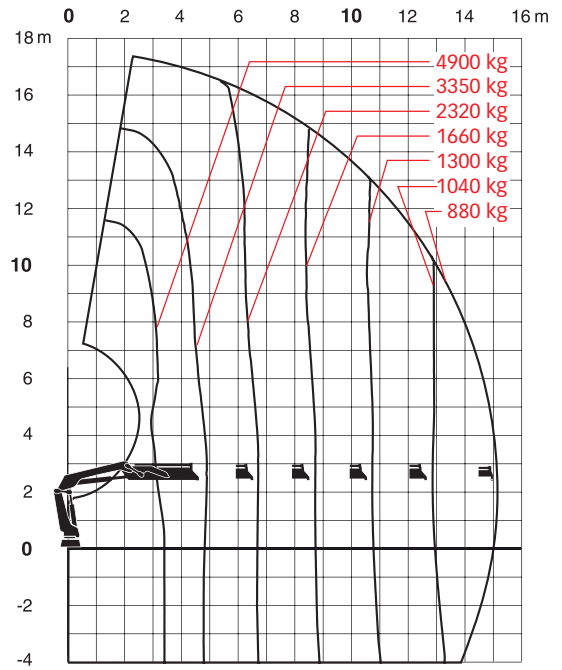
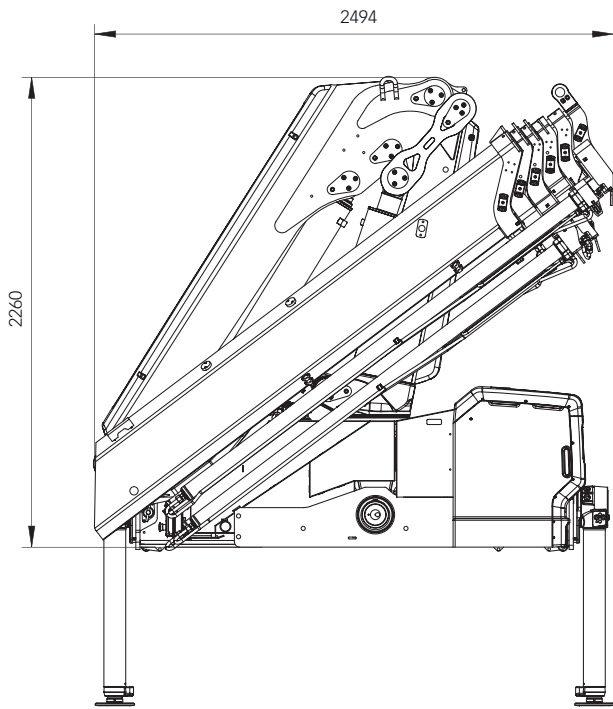
HIAB X-HIPRO 192



HIAB X-HIPRO 192 BASIC DATA

| Technical data | ES-2 | E-3 | E-5 | E-6 |
|--|--|--|---|---|
| Max. lifting capacity (kNm) | 177.5 | 171.7 | 163.2 | 160 |
| Outreach, hydraulic extensions (m) | 8.3 | 10.8 | 15.2 | 17.5 |
| Outreach, manual extensions (m) | 10.5 | 12.9 | 17.5 | 19.4 |
| Outreach, with jib (m) | - | - | - | - |
| Outreach / lifting capacity (m/kg) | 3.1 / 5800 4.4 / 4100 6.2 / 2900 8.2 / 2180 - - - - | 3.3 / 5300 4.8 / 3650 6.6 / 2550 8.6 / 1920 10.6 / 1540 - - - | 3.4 / 4900 4.9 / 3350 6.7 / 2320 8.7 / 1660 10.7 / 1300 12.8 / 1040 15 / 880 - | 3.4 / 4800 5.0 / 3200 6.8 / 2180 8.8 / 1540 10.8 / 1180 12.9 / 930 15.1 / 760 17.4 / 650 |
| Outreach / lifting capacity, with jib (m / kg) | - | - | - | - |
| Slewing angle (°) | 415 | 415 | 415 | 415 |
| Height in folded position (mm) | 2260 | 2260 | 2260 | 2260 |
| Width in folded position (mm) | 2470 | 2470 | 2494 | 2494 |
| Installation space needed (mm) | 865 | 965 | 965 | 965 |
| Weight, "standard" crane, without stabilisers (kg) | 1935 | 2095 | 2375 | 2495 |
| Weight, stabiliser equipment (kg) | 271 - 428 | 271 - 428 | 271 - 428 | 271 - 428 |
| Weight, jib (kg) | - | - | - | - |

HIAB X-HiPro 192 E5



BUILT TO PERFORM

Hiab is the world's leading provider of on-road load handling equipment. Customer satisfaction is the first priority for us. Hiab's product range includes HIAB loader cranes, JONSERED recycling and forestry cranes, LOGLIFT forestry cranes, MOFFETT truck-mounted forklifts and MULTILIFT demountables, as well as DEL, WALTCO and ZEPRO tail lifts.

www.hiab.com

Hiab is part of Cargotec. www.cargotec.com



BD-HIP192-EN-WW_140425



hiab.com

