

WT 270

WUMAG PALFINGER

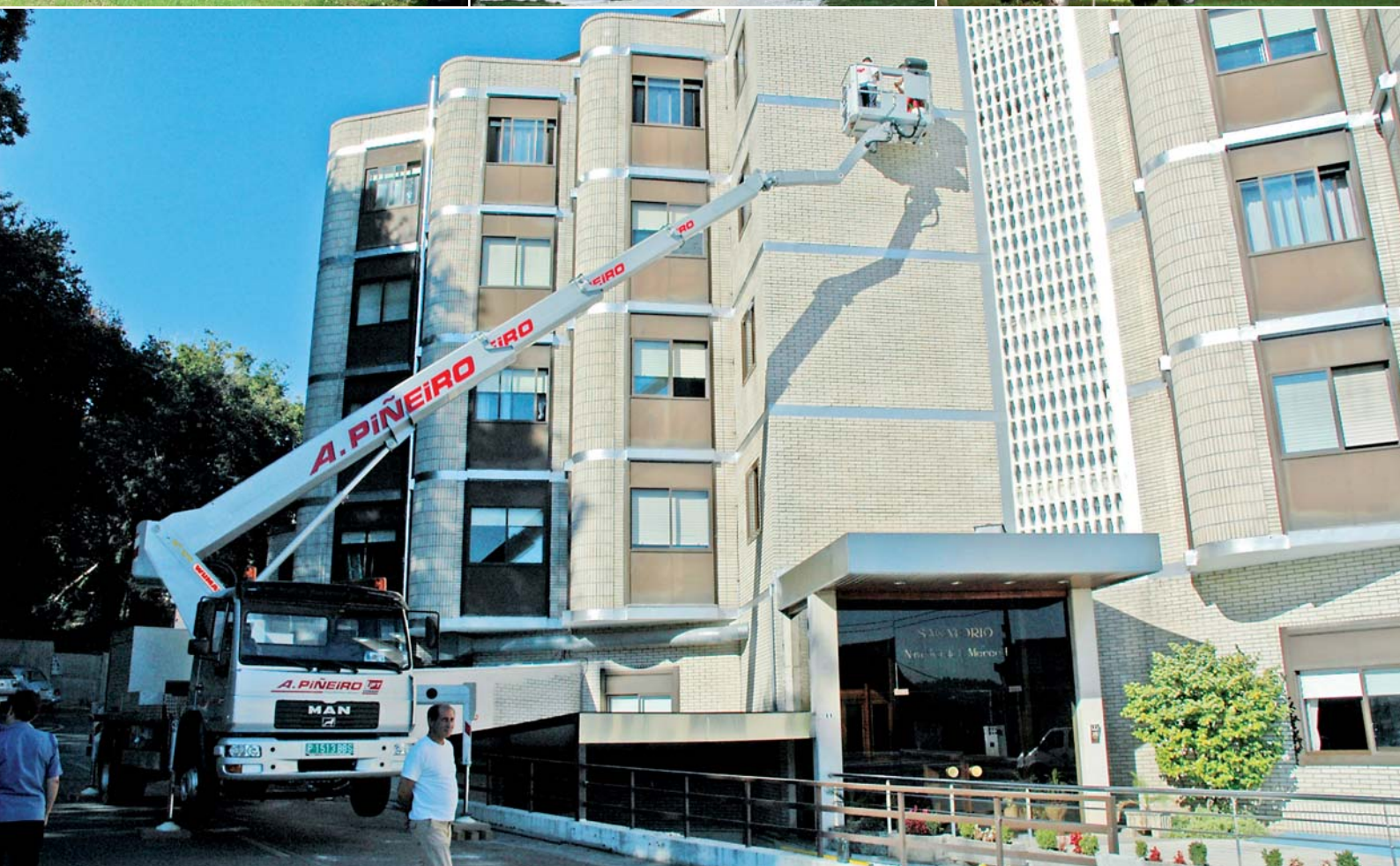


Ideal all-rounder

Your reliable partner

With working heights of up to 27 meters, the WT 270 ranks among the most-desired truck mounted access platforms in the compact class. Its high nominal load of 350 kg in the workman basket enables a large additional tool load for an array of applications.

Since outriggers can be positioned within the width of the contours of the exterior mirrors, the access platform can be set up in almost any environment.



Extensive standard equipment



Workman basket

The workman basket has a slewing area of 160°, and the outreach is fully adjustable from the basket in accordance with the load. All four stabilizers can be clearly controlled from the basket for maximum comfort.



Efficient control system

Working efficiently means a remote control system from the workman basket which can display all help and warning instructions in text format, as well as the most important technical data as a graphic display. The home function, for example, is standard. All platforms come equipped with a standard electronic Back-up/Emergency control on the base and an emergency control (emergency lowering system) in the workman basket.



Accurate setup to 2°

In order to attain maximum outreach on every job, the slope measurement on the column automatically shifts between the 0° and 2° range.



Slewing within the vehicle width

The ergonomically designed column enables the truck mounted access platform to be slewed within the width of the contours of the exterior mirrors. Street traffic is therefore not interrupted.



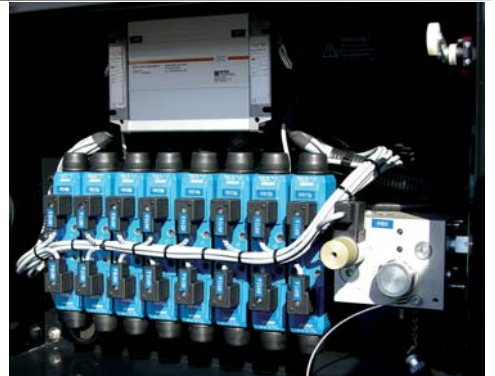
Options for higher performance

Electronic comfort functions to increase performance include the memory function, the rabbit-turtle function, and an equalizer to individually adjust the characteristics of the vehicle movements.

Tested quality

Hydraulics

The proper oil temperature is essential for smooth operation and, therefore, needs to be constantly monitored. In case of increased oil temperature, a safety control automatically activates an integrated cooling system. Load-bearing cylinders are equipped with redundant block valves.



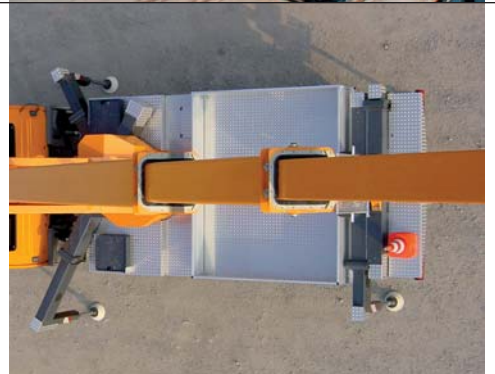
Internal routing

All power guides, chains, cables and telescopic cylinders are internally routed in the boom system. This provides optimal protection against damage and weather. The vehicle's outer appearance is marked by smooth surfaces and a clear alignment.



Fully adjustable stabilizers

Fully adjustable and automatically leveled stabilizers optimize the working range. The column incline is also monitored and the potential working range automatically calculated.



Safety ground pads

The innovative safety ground pads guarantee the best grounding and the optimal pressure distribution on the floor. This important component between the platform and the ground comes as a standard.



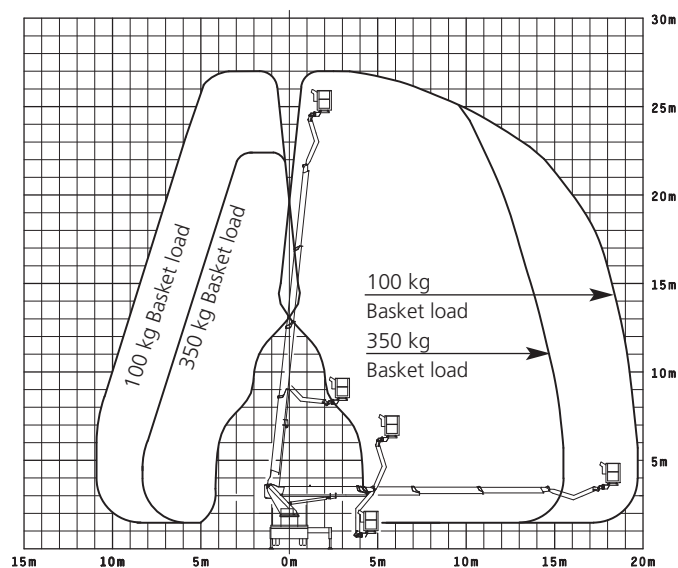
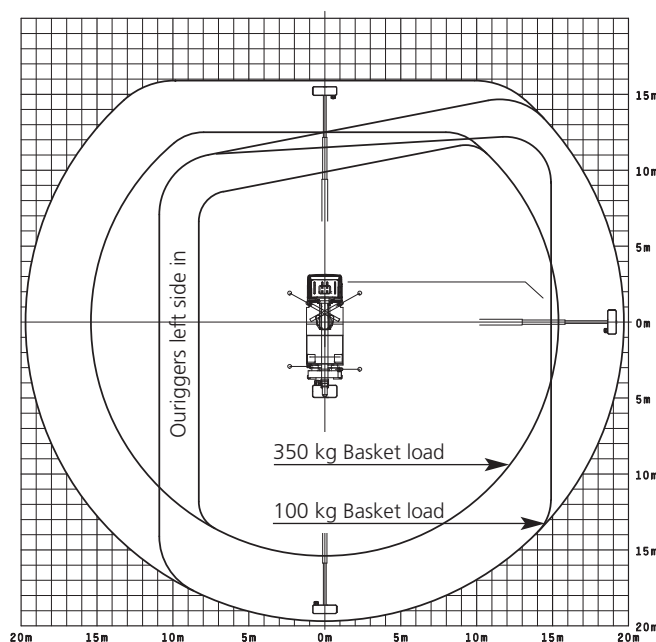
Service friendliness

Comprehensive service functions are integral to our access platforms: operating-hour meter, remote maintenance, error file memory, freely programmable height limitation, diagnostic tools and remote diagnostic devices via wireless modem and remote maintenance systems. To ensure readily available supplies, the electronic components of models ranging from the WT 230 up to the WT 700 are the same whenever possible.



Sophisticated technology

WT 270 Working range



Technical Data

Specifications of basic model

Max. working height	27 m
Max. basket floor height	25 m
Max. horizontal outreach / with workman basket	19.80 m / 100 kg

Workman basket

Dimensions of the standard workman basket (B x L x H)	1.60 x 0.80 x 1.10 m
Slewing range of basket	2 x 80°
Max. permissible load	350 kg
Motor Engine Start/Stop in the workman basket	standard
Synthetic cover on control panel	standard
230 V CEE outlet in the workman basket	standard
Anchor points to secure safety belt	standard
Electronical controlled proportional remote control	standard
Graphic display	standard
Collision protection for basket and jib boom	standard
24 V socket in the workman basket	standard
Basket interchange system	standard
Overload control in the workman basket	standard

Boom system

Number of extensions	3
Self centering system	standard
All power guides and hydraulic and mechanical equipment internally routed and optimally protected against damage	standard
Hydraulic jib boom, working range	195°
Automatic transport locking device for jib boom	standard
Automatic return of main boom to transport position „Home Function“	standard

Slewing system

Slewing within mirror width	standard
Slewing range	540°

Stabilizers

Function of the stabilizers	partial variable, H-type
Min. stabilizer spread – all outriggers in	2,50 m
Max. stabilizer spread – both sides horizontally extended	5 m
Stabilizer control from the workman basket	standard
Max. permissible inclination 2°	standard
4 Safety plates	standard
Half automatic stabilizing	standard
Permanent ground pressure control	standard

Carrier vehicle and installation

GVW class	7.49 t
Length in transport position	8.20 m*
Width in transport position	2.50 m*
Height in transport position	3.50 m*
Angle of slope	ca. 11° *
Hydraulic oil tank with return line filter	standard

*) depending on carrier vehicle

Manual and emergency controls

Integrated in the body – well-protected and lockable	standard
Emergency lowering system in the basket	standard
Back-up/Emergency control at the base	standard
Protection for cabin of chassis	standard

