



TELESCOPIC WHEEL LOADER | TM320 / TM320S / TM420 / TM420S

Gross power: 97kW/130hp – 129kW/173hp Lift capacity: 3200kg – 4100kg Lift height: 5.2m – 5.45m



**THE ARGUMENT FOR BUYING ONE
JUST GOT EVEN MORE POWERFUL.**



Introducing the all-new **JCB TM320, TM320S, TM420 and TM420S Stage V** machines. With JCB's proven DieselMAX engine delivering more power and a new highly efficient 8-speed powershift transmission with TorqueLock, they take performance and productivity to another level. With superb visibility, comfort and ease of use plus many innovative fuel saving features, there's so many reasons to choose the ultimate telescopic wheel loaders.



STAGE V

MORE POWERFUL.

OUR NEW JCB STAGE V TM RANGE OF MACHINES ARE OUR MOST POWERFUL YET, WHILST ALSO PROVIDING GREATER TRACTION, RIDE COMFORT AND STABILITY.

Ultimate performance.

1 The new TM machines feature our DieselMAX Stage V emission compliant engine, giving increased performance at low engine speed. This 4.8 litre engine delivers a further increase in engine power and torque over the previous models. The TM320 has 130hp (97kW), while the TM320S and TM420 both have 150hp (112kW). The new flagship model, the TM420S boasts a massive 173hp (129kW) of power.

2 Our unique oscillating centre pivot point makes the most of traction by maintaining even weight distribution over each of the four wheels, providing extra stability and enhanced ride comfort.

3 The JCB TM machines give you ultimate traction and performance in soft ground conditions, thanks to limited slip differential axles and 4WD as standard.

4 New 8-speed powershift transmission with TorqueLock provides a greater range of travel speeds to suit all farm applications. 40kph ECO allows for a fast travel speed at low engine rpm whilst conserving fuel, or new 50kph* travel speed for those customers who want to get from field to farm fast!

*Where legislation allows





GREATER PRODUCTIVITY.

WITH A NEW TRANSMISSION FEATURING TORQUELOCK, IMPROVED LOAD RETENTION AND EASY-TO-USE HYDRAULICS, THE NEW JCB TM MACHINES TAKE PRODUCTIVITY TO ANOTHER LEVEL.

Innovation in action.

1 The new flagship TM420S features twin variable hydraulic pumps delivering greater flow rate at low engine speed for redefined productivity and performance. Using the huge torque reserves of its 129kW/173hp engine, the boom cycle speeds of the standard TM420 are now accessible at a quiet, yet responsive and capable, 1700rpm. Automated engine rpm control with progressive braking also enhances the integration of the new pump, to optimise transmission inching control during multi-functioning.

2 JCB's Auto Smoothride System (SRS) engages at speeds of over 4mph/6kph. This improves load retention and comfort (and in turn, productivity) when travelling at speed on and off road. The system can be manually engaged with the boom in any position. It is easily operated via the B-post mounted switch and can be auto-engaged by travel speed or constantly activated.

3 Our optional Rockinger or hydraulic rear tow hitch further increases machine versatility, whilst its fold-up design prevents impact damage and grounding, when working on gradients or uneven ground.



4 The TM420 and TM420S feature innovative regenerative hydraulics to help to make the most of every drop of precious fuel. Gravitational forces are harnessed to make boom lowering and retraction more energy efficient than ever, allowing the boom to retract and lower in less than five seconds.

5 The TM420 and TM420S feature high flow pipework that gives even greater flow to the boom auxiliaries. This is ideally suited to attachments demanding high flow, such as silage defacers and straw spreaders.



6 Boom end damping on boom lower and extend / retract reduces shock to the operator and the machine itself.

7 The TM's variable flow auxiliary hydraulics are easy to use, designed to maximise productivity and efficiency. This flow sharing system with a variable flow piston pump also allows for multiple functions to be performed at the same time, reducing cycle times.



DESIGNED FOR COMFORT.

WITH ONE OF THE MOST COMFORTABLE CABS ON THE MARKET FEATURING THE LATEST TECHNOLOGY, EASY-TO-USE CONTROLS AND OPTIONAL EXTRAS, WORKING IS A PLEASURE NOT A CHORE.

Work in comfort.

1 The new JCB TM cab has been designed with operator comfort in mind. It provides a spacious working environment with plenty of storage for home comforts and work essentials.

2 Our HVAC system keeps operators comfortable and focused for longer; the 3-speed fan heater can help create the right working temperature all year round, from the depths of winter to hot harvesting days.

3 With a dedicated media port on board, you can be assured of superb connectivity for all of your electronic devices.

Optional radio with Bluetooth connectivity and integrated microphone to aid hands-free calling from your mobile phone with B-post mounted answer/decline and mute switch.

4 For ergonomic, fast and precise control, the TM machines are fitted with a fully proportional single lever mounted servo joystick. Joystick-mounted manual gear changes mean you can shift gears, speed and direction quickly and easily with one

ergonomic control. All models also benefit from automatic gear changes.

5 Electronic park brake offers numerous advantages; it's quick and easy to operate, and frees up space to the left side of the operator for extra storage.

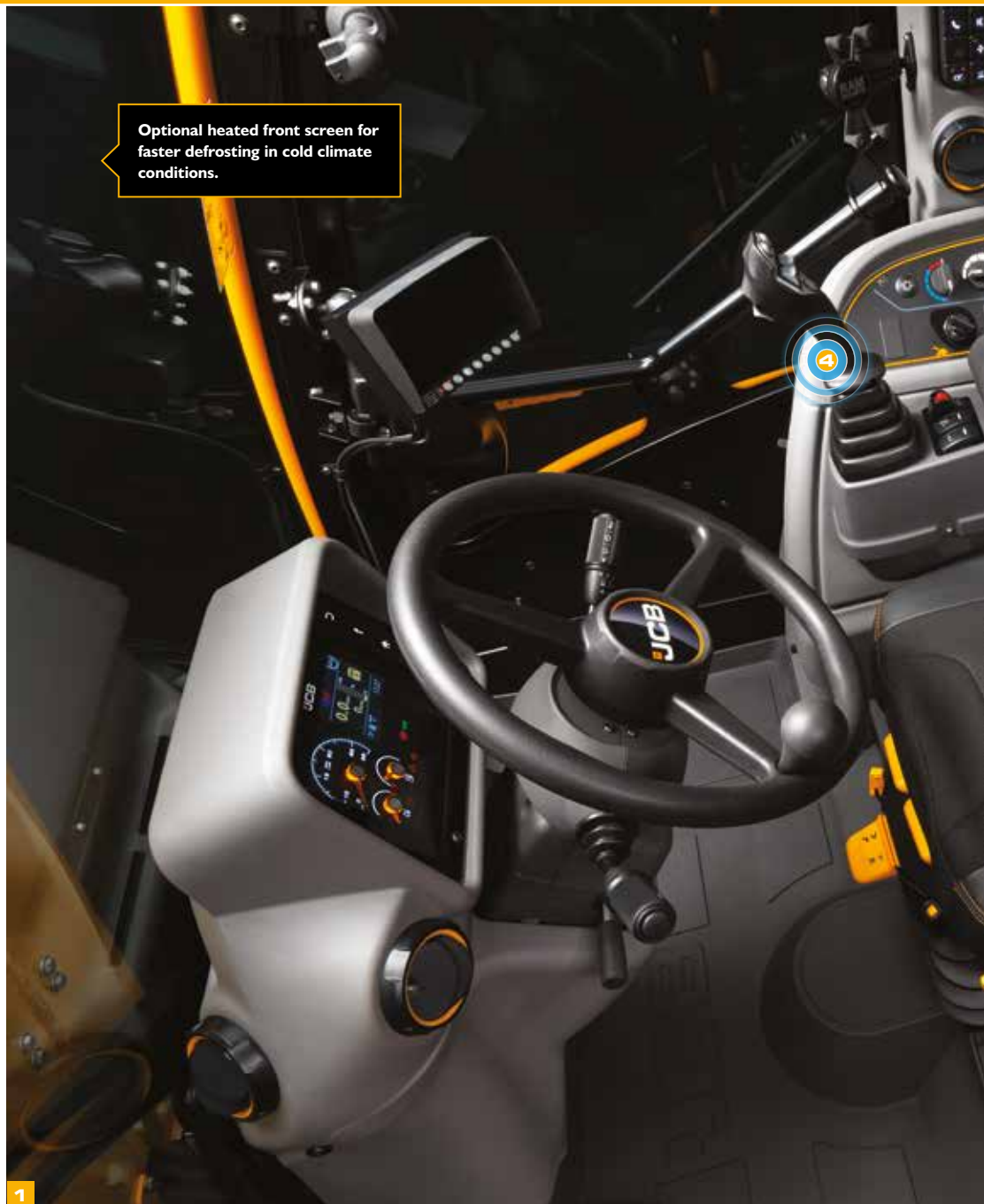
6 B-post mounted backlit switches ensure quick and accurate control recognition, even in the dark.

7 New damped assisted fully adjustable tilt and rake steering column with auto park function makes operator access even easier as well as achieving the correct position for greater comfort.

New Pro Edition pack, combines the S-model features, with additional options that includes; stainless exhaust stack pipe, roof wiper, 360° LED lighting, twin flashing beacons, LED boom lights, Smoothride boom suspension, in-cab storage box, transmission belly guard, hydraulic reverse fan, toolbox, grease gun and Bluetooth radio.

PRO EDITION

Optional heated front screen for faster defrosting in cold climate conditions.



1



Optional seat upgrade from air suspension, to a super deluxe half leather seat with heating and lumbar support functionality.



SUPERB VISIBILITY AND EASE OF USE.

WITH INCREASED FORWARD, REARWARD AND UPWARD VISIBILITY AND EASY-TO-USE CONTROLS, THE ADVANTAGES OF USING A JCB TM ARE CLEAR TO SEE.

Better by design.

1 Visibility has never been better, with new seamless one-piece, multi curved glazing that increases front visibility by 13%, providing exceptional upward visibility when operating or loading overhead.

Cab roof FOPS design improves visibility through the roof along with a greater glass surface area of the front windscreen (7% increase), rear quarter windows (9% increase) and roof window (52% increase).

2 Joystick smart key brings all the day-to-day functions directly to your fingertips. It can be programmed to activate any of the following functions: transmission auto/manual, TorqueLock, master work lights, aux changeover front - rear, aux changeover front 1 – 2, radio mute, phone answer/hang-up.

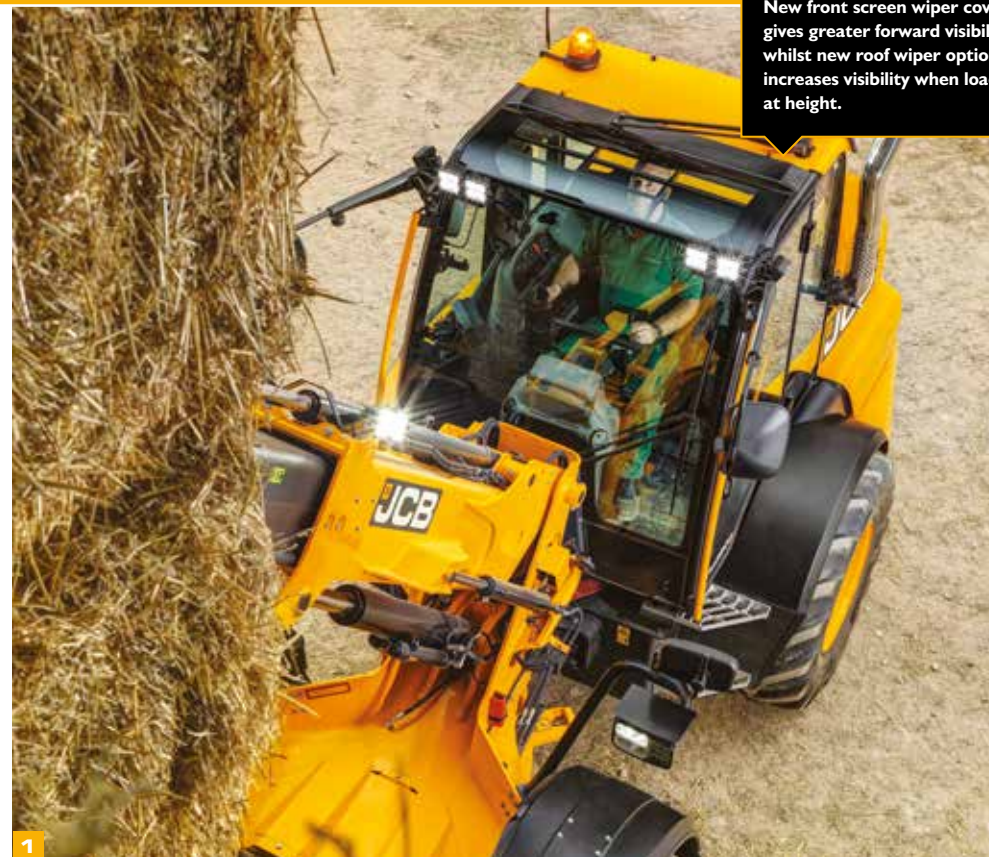
3 Low boom profile and low boom pivot make for superb forward visibility.

4 The console mounted dial allows the operator to infinitely adjust the flow rate to the proportional flow control of the joystick auxiliaries. This ensures that the correct flow rate is achieved to the exact requirements of the attachment. Flow rate is displayed on the in-cab display.

A switchable constant flow mode allows motorised attachments to remain controlled (start and stop) by the ergonomic joystick control, without the need to hold the aux flow switch continuously. Perfect for a straw spreader or yard sweeper.

5 Auxiliary venting now boasts an internal and external cab pressure release button for both the front and rear hydraulic auxiliary. Auxiliary venting can be operated with or without the engine running.

6 A selectable transmission dump on the foot brake provides superb multi-functioning and increased engine speeds during loading or rehandling.



New front screen wiper coverage gives greater forward visibility, whilst new roof wiper option increases visibility when loading at height.



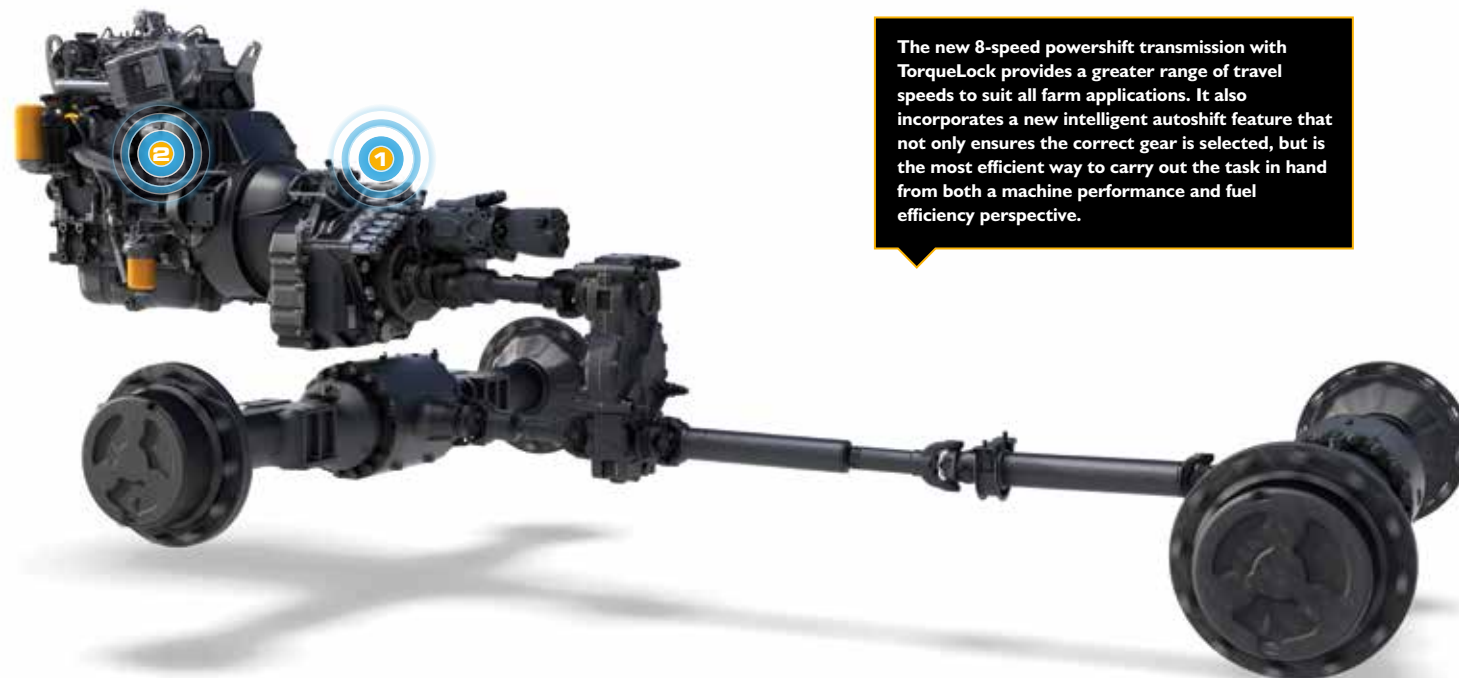


REDUCED COST OF OWNERSHIP.

OUR NEW TM MACHINES HAVE BEEN DESIGNED TO PROVIDE MAXIMUM EFFICIENCY, WITH A NEW TRANSMISSION AND MANY OTHER INNOVATIVE FUEL-SAVING FEATURES.

Economical working.

- 1 New 8-speed powershift transmission offers smoother transitions as it steps through the gears and delivers TorqueLock, for greater efficiency and improved fuel economy. S-models feature TorqueLock in all gears from 1-8 and 1-4 in reverse, whilst standard models in gears 5-8 only.
- 2 By producing high levels of power and torque even at engine speeds as low as 1300-1400rpm, JCB's DieselMAX engine can provide fuel-efficient matching of transmission and hydraulics.
- 3 JCB DieselMAX engines are fitted with a variable speed cooling fan that automatically reacts to ambient temperatures, adjusting fan speed to maximise fuel efficiency and in-cab noise.
- 4 High back-off power brakes reduce viscous drag during roading and rehandling, which improves fuel economy.



The new 8-speed powershift transmission with TorqueLock provides a greater range of travel speeds to suit all farm applications. It also incorporates a new intelligent autoshift feature that not only ensures the correct gear is selected, but is the most efficient way to carry out the task in hand from both a machine performance and fuel efficiency perspective.

- 5 All TM's feature load-sensing hydraulics which only consume power on demand, conserving fuel. However the TM420S features twin hydraulic pumps which deliver even greater flow rate at less engine speed, taking efficiency to a new level.
- 6 New auto engine shutdown feature saves fuel by switching off the engine when the machine is left idling. Idle time can be set by the operator from the cab.





SAFE AND SECURE.

BECAUSE SAFETY AND SECURITY ARE PARAMOUNT ON ANY FARM, JCB TM MACHINES ARE DESIGNED TO PROTECT YOU AND YOUR INVESTMENT 24/7.

Protection when it matters.

- 1** A rear view camera fitted as standard displays an unobstructed rearward view that you can see on the in-cab colour monitor.
- 2** Superb visibility in dark conditions is guaranteed with JCB's high intensity 11x LED work lighting package, providing 360 degree illumination.
- 3** Smart lighting system features: walk me home, automated boom work light activation, auto reverse work lights and headlight main beam assist. Console switch illumination and courtesy step lighting, activated on door opening for night time operation, is made even simpler.
- 4** The JCB factory-fit key immobiliser option automatically arms itself after a set time following engine shutdown.
- 5** Our in-cab, electronic 2-stage quickhitch isolation protects against accidental release of attachments.

- 6** Access in and out of the cab has been improved. Increased cab access area and strategically placed grab handles ensure getting quickly and comfortably into position is safe and simple.
- 7** Twin line hydraulic trailer braking option for fail-safe braking performance.
- 8** Hose burst check valves on the rams prevent collapse if a hose fails.



Our patented Adaptive Load Control System complies with EN15000 and allows the operator to drive seamlessly; without hindering productivity, whilst ensuring machine stability at all times.



In order to protect your investment, JCB LiveLink telematics for real-time vehicle tracking is fitted as standard.

Standard fitment of a reverse alarm on all models.

LIVELINK, WORK SMARTER.

LIVELINK IS AN INNOVATIVE SOFTWARE SYSTEM THAT LETS YOU MANAGE JCB MACHINES REMOTELY – ONLINE, BY EMAIL OR BY MOBILE PHONE. ACCESS EVERYTHING FROM MACHINE ALERTS TO FUEL REPORTS AND HISTORY INFORMATION, WITH ALL DATA STORED AT A SECURE CENTRE.

Productivity and cost benefits

By providing information like idle time monitoring and machine fuel consumption, JCB LiveLink helps reduce your fuel usage, saving money and improving productivity. Machine location information can help improve efficiency and even reduce insurance costs.



Maintenance benefits

Manage machine maintenance easily – accurate hours monitoring and service alerts improve maintenance planning, while real-time location data helps you manage your fleet. Critical machine alerts and maintenance history records are also available.



TIME UNTIL NEXT SERVICE

1 Month
9 Days
4 Hours
5 Minutes

LIVE JCB LINK

Security benefits

LiveLink's real-time geofencing alerts tell you when machines move out of predetermined zones, like the farm yard and real-time curfew alerts inform you of unauthorised usage. Further benefits include real-time location information.



VALUE ADDED.

JCB'S WORLDWIDE CUSTOMER SUPPORT IS FIRST CLASS. WHATEVER YOU NEED AND WHEREVER YOU ARE, WE'LL BE AVAILABLE QUICKLY AND EFFICIENTLY TO HELP MAKE SURE YOUR MACHINERY IS PERFORMING TO ITS FULL POTENTIAL.



1

1 Our Technical Support Service provides instant access to factory expertise, day or night, while our Finance and Insurance teams are always on hand to provide fast, flexible, competitive quotes.

2 The global network of JCB Parts Centres is another model of efficiency; with 18 regional bases, we can deliver around 95% of all parts anywhere in the world within 24 hours. Our genuine JCB parts are designed to work in perfect harmony with your machine for optimum performance and productivity.

Note: JCB LIVELINK and JCB extended warranties may not be available in your region, so please check with your local dealer.

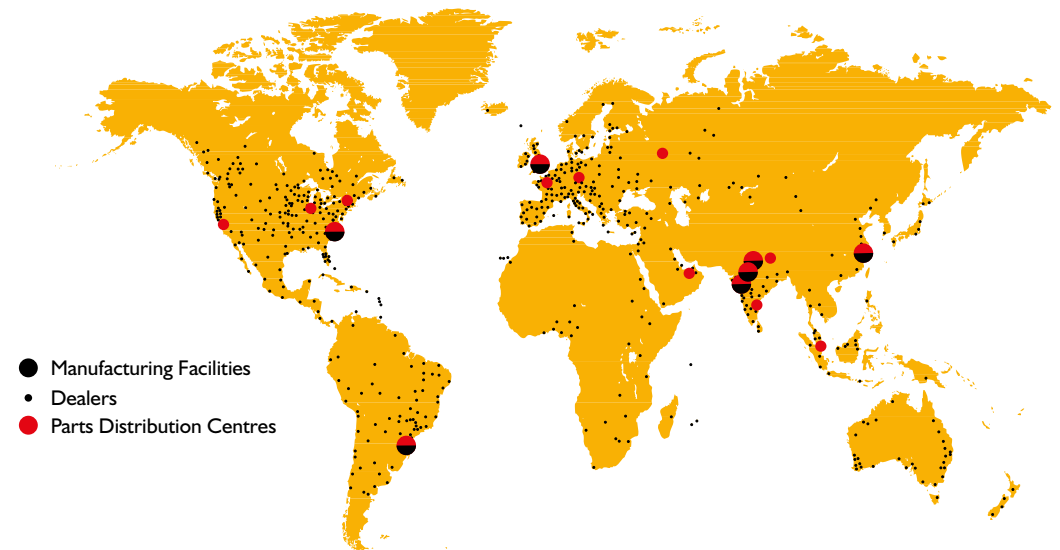


2

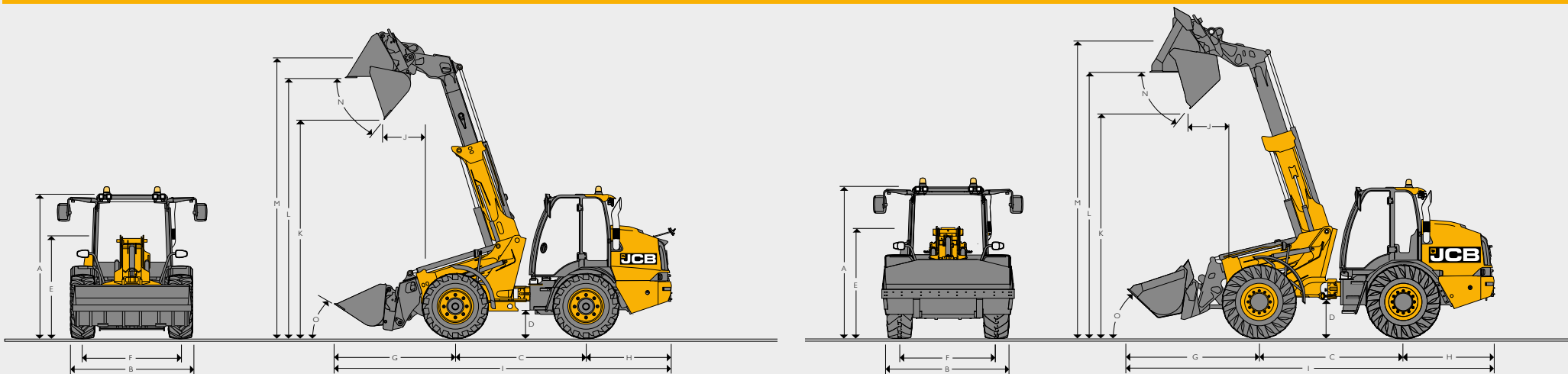
3 JCB offers comprehensive extended warranties as well as service-only or repair and maintenance contracts. Irrespective of what you opt for, our maintenance teams around the world charge competitive labour rates, and offer non-obligation quotations as well as fast, efficient insurance repair work.



3



STATIC DIMENSIONS



Machine model		TM320	TM320S	TM420	TM420S
A	Height over cab (no wiper)	mm	2721	2721	2856
A	Height over cab (inc wiper)	mm	2791	2791	2926
B	Overall width (over tyres)	mm	2350	2350	2350
C	Wheelbase	mm	2550	2550	2758
D	Ground clearance to bottom of axle	mm	420	420	466
E	Height to top of boom pivot	mm	1835	1835	1975
F	Wheel track	mm	1870	1870	1860
G	Front axle to shovel toe plate	mm	1627	1627	2532
H	Rear axle to counterweight face	mm	2143	2143	1721
I	Total length (GP shovel at carry)*	mm	6322	6322	7011
J	Dump reach at full height	mm	933	933	735
K	Dump height	mm	4511	4511	4411
L	Load over height	mm	5182	5182	5064
M	Pin height	mm	5367	5367	5661
N	Max dump angle at full height	degrees	39	39	39
O	Roll back angle at carry	degrees	41	41	43
	Total length to front of hitch	mm	5886	5886	5829
	Inside turning radius to tyres	mm	2001	2001	3880
	Outside turning radius over tyres	mm	4350	4350	5060
	Outside turning radius over shovel	mm	4633	4633	5680
	Articulation angle	deg	+/- 43	+/- 43	+/- 40
	Operating weight (Ref tyre, hitch)	kg	8142	8142	9779
	Front axle weight	kg	2352	2352	3048
	Rear axle weight	kg	5790	5790	6731
	Tyres used for specifications		XMCL 460/70R24	XMCL 460/70R24	XMCL 480/80R26
	Shovel used for specifications		1.0m3 Q-Fit	1.0m3 Q-Fit	1.6m3 Q-Fit
	Hitch used for specifications		Q-Fit	Q-Fit	Q-Fit

*Please note total length: machine fitted with standard bucket – boom fully down, shovel crowded fully back.

ENGINE				
Machine model	TM320	TM320S	TM420	TM420S
Manufacturer	JCB	JCB	JCB	JCB
Model	Dieselmax	Dieselmax	Dieselmax	Dieselmax
Capacity litres	4.8	4.8	4.8	4.8
Aspiration	Turbocharged, Intercooled	Turbocharged, Intercooled	Turbocharged, Intercooled	Turbocharged, Intercooled
Number of cylinders	4	4	4	4
Power rating				
Gross power kW (hp)	97 (130)	112 (150)	112 (150)	129 (173)
Torque rating vvv				
Gross torque Nm	550	600	600	690

TRANSMISSION						
Machine model	TM320 (40kph)	TM320S (40kph)	TM320S (50kph)	TM420 (40kph)	TM420S (40kph)	TM420S (50kph)
Type	Powershift	Powershift	Powershift	Powershift	Powershift	Powershift
Manufacturer	JCB	JCB	JCB	JCB	JCB	JCB
Model	PS900	PS900	PS900	PS900	PS900	PS900
Fwd / rev ratios	8 / 4	8 / 4	8 / 4	8 / 4	8 / 4	8 / 4
Torque lock	Fwd gears 5 - 8	Fwd gears 1 - 8, Rev gears 1 - 4	Fwd gears 1 - 8, Rev gears 1 - 4	Fwd gears 5 - 8	Fwd gears 1 - 8, Rev gears 1 - 4	Fwd gears 1 - 8, Rev gears 1 - 4
Max. travel speed kph	40	40	50	40	40	50
Engine rpm at max travel speed rpm	1900	1900	2380	1900	1900	2380

AXLES & BRAKES						
Machine model	TM320 (40kph)	TM320S (40kph)	TM320S (50kph)	TM420 (40kph)	TM420S (40kph)	TM420S (50kph)
Type	Epicyclic hub reduction	Epicyclic hub reduction	Epicyclic hub reduction	Epicyclic hub reduction	Epicyclic hub reduction	Epicyclic hub reduction
Manufacturer	JCB	JCB	JCB	JCB	JCB	JCB
Model	PD70	PD70	PD70	PD87	PD87	PD87
Overall axle ratio	12.49	12.49	12.49	13.875	13.875	13.875
Chassis oscillation angle degrees	± 10°	± 10°	± 10°	± 10°	± 10°	± 10°
Inboard oil immersed brakes	Front axle	Front axle	Front & rear axle	Front & rear axle	Front & rear axle	Front & rear axle
Brake system	Single circuit	Single circuit	Dual circuit	Single circuit	Single circuit	Dual circuit
Park brake	Mechanical lever	Mechanical lever	Electrical switch	Mechanical lever	Mechanical lever	Electrical switch

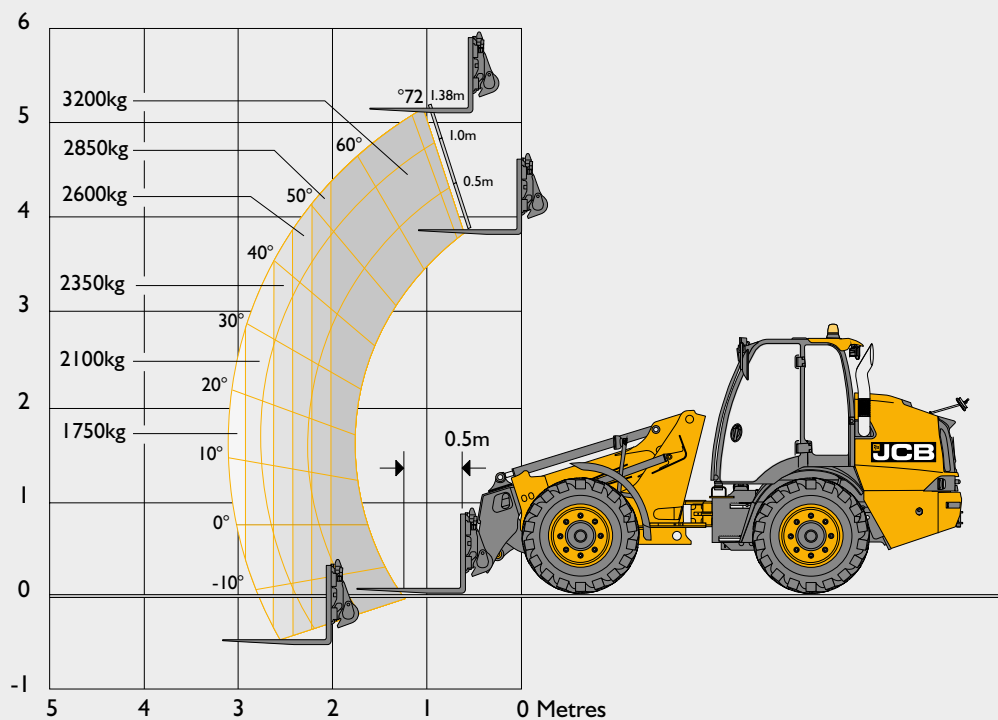
NOISE AND VIBRATION				
		Uncertainty	Measurement conditions	
Noise at the operator station	LpA	73 dB	+/- 1 dB	Determined in accordance with the test method defined in ISO 6396 and the dynamic test condition defined on 2000/14/EC.
Noise emission from the machine	LWA	104 dB	+/- 1 dB	Guaranteed equivalent sound power (external noise) determined in accordance with the dynamic test conditions defined in 2000/14/EC.
Whole body vibration	m/s ²	0.39	+/- 0.11 dB	ISO 2631-1:1997 normalised to an 8h reference period and based upon a test cycle comprising of loader work (soil).
Hand-arm vibration	m/s ²	<2.5	N/A	ISO 5349-2:2001 dynamic test conditions.

LOADER PERFORMANCE - FORK FRAME WITH FORKS

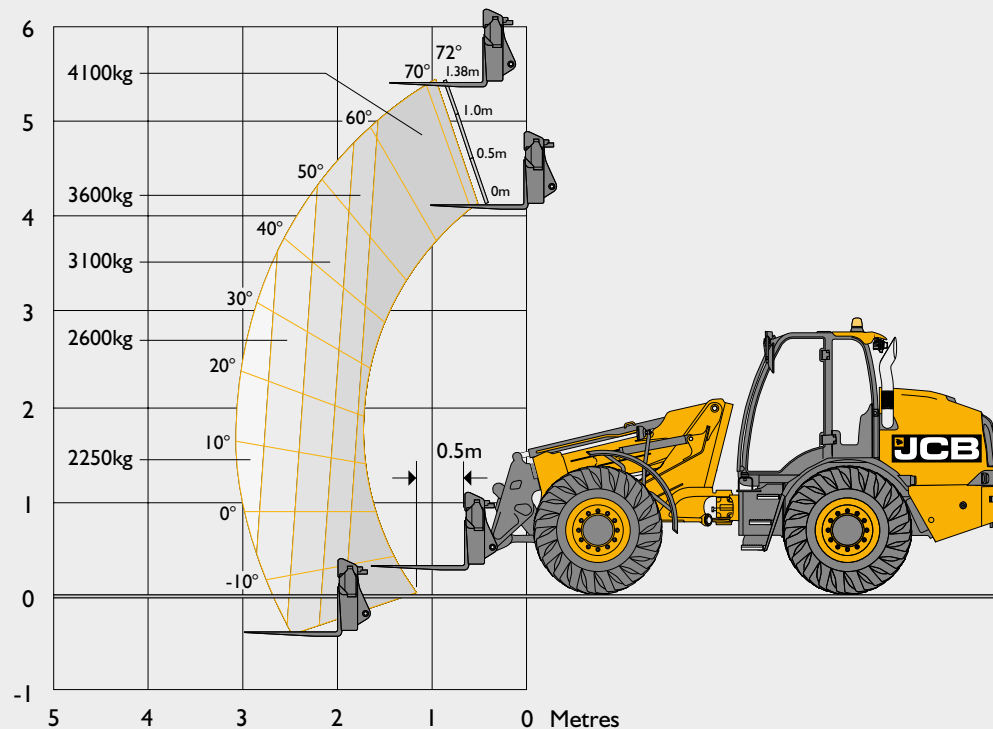
Machine model		TM320	TM320S	TM420	TM420S
Lift capacity to full height forks	kg	3200	3200	4100	4100
Lift capacity at full reach	kg	1750	1750	2250	2250
Lift height - forks	mm	5200	5200	5450	5450
Max forward reach - forks at 500mm	mm	2950	2950	3050	3050
Straight tipping load forks at 500mm load centre*	kg	5262	5262	6670	6670
FTTL forks at 500mm load centre*	kg	4052**	4052**	5200**	5200**
FTTL payload forks at 80% of FTTL	kg	3242**	3242**	4160**	4160**
FTTL payload forks at 60% of FTTL	kg	2431**	2431**	3120**	3120**
Breakout force - Shovel	kg	6260	6260	7200	7200

** Straight and Full Turn Tipping Load with forks and direct mount to Pin and Cone carriage to EN474 (ISO 14397)

TM320 / TM320S



TM420 / TM420S



HYDRAULICS					
Machine model		TM320	TM320S	TM420	TM420S
Pump type		Variable displacement piston pump	Variable displacement piston pump	Variable displacement piston pump	Twin variable displacement piston pump
Pump capacity	l/min	63cc/rev	72cc/rev	72cc/rev	100cc/rev
Max flow	l/min	140	160	160	160
Engine rpm req. for max flow	rpm	2380	2380	2380	1700
max pressure	bar	230	230	260	260
Aux circuit rated flow	l/min	90	90	100	100
Engine rpm req. for Aux rated flow	rpm	1600	1600	1700	1200
Hydraulic cycle times					
Raise	seconds	5.9	5.5	5.1	5.1
Lower	seconds	6	6	4.7	4.7
Extend	seconds	3.4	3.4	3.6	3.6
Retract	seconds	2.6	2.6	3.5	3.5
Dump	seconds	2.8	2.8	2.9	2.9
Crowd	seconds	2.8	2.8	3.4	3.4

ELECTRICAL SYSTEM					
Machine model		TM320	TM320S	TM420	TM420S
System voltage	Volt	12	12	12	12
Alternator output	Amp Hour	170	170	170	170
Battery type		Twin batteries	Twin batteries	Twin batteries	Twin batteries
Battery capacity	Amp Hour	2 x 610CCA, 62Ah	2 x 610CCA, 62Ah	2 x 610CCA, 62Ah	2 x 610CCA, 62Ah

FLUID CAPACITIES			
Machine model		TM320 / TM320S	TM420 / TM420S
Hydraulic tank	litres	97	97
Fuel tank	litres	160	160
Engine sump	litres	14	14
Front axle	litres	20	25
Rear Axle	litres	20	25
Drop box	litres	1.3	1.3
DEF	litres	29	29
Transmission	litres	19	19

TM420 / TM420S TYRE OPTIONS					
Manufacturer	Size	Type	Application	Dimensional changes	
				Overall height (mm)	Width over tyres (mm)
Michelin	480/80R26	XMCL	AG	0	0
Michelin	480/80R26	BIBLOAD	AG/EM	+8	0
Michelin	620/70R26	CEREXBIB	AG	+7	+201
Michelin	17.5R25	XHA	EM	-54	-19
Michelin	17.5R25	XSNOPPLUS	EM	-60	-19
Nokian	17.5R25	LOADER GRIP TL	EM	-42	-20
JCB	17.5R25	EARTHMOVER	EM	-23	-22

TM320 / TM320S TYRE OPTIONS					
Manufacturer	Size	Type	Application	Dimensional changes	
				Overall height (mm)	Width over tyres (mm)
Mitas	445/70R24	AC70G MPT	AG	-1	-22
Michelin	440/80R24	XMCL	AG	+30	-82
Michelin	460/70R24	XMCL	AG	0	0
Michelin	500/70R24	XMCL	AG	+24	+38
Michelin	15.5R25	XHA	EM	-5	-86
Michelin	15.5R25	XTLA	EM	-9	-86
Michelin	460/70R24	BIBLOAD	AG/EM	-4	0
Michelin	500/70R24	BIBLOAD	AG/EM	+19	+54
Alliance	460/70R24	AGRO-INDUSTRIAL R-4	AG	+5	-61
Alliance	500/70R24	AGRO-INDUSTRIAL R-4	AG	+32	+48

STANDARD/OPTIONAL EQUIPMENT

Machine model	TM320	TM320S	TM420	TM420S	Machine model	TM320	TM320S	TM420	TM420S
ENGINE AND COOLING					CAB				
130hp JCB DieselMax Engine	•	×	×	×	ROPS/FOPS safety structure	•	•	•	•
150hp JCB DieselMax Engine	×	•	•	×	B-post mounted membrane switches	•	•	•	•
173hp JCB DieselMax Engine	×	×	×	•	Fully adjustable mechanical seat	•	•	•	•
Cyclonic air filter	•	•	•	•	Air suspension seat	+	+	+	+
Air intake scavenge system	•	•	•	•	Super deluxe heated air suspension half leather seat	+	+	+	+
Widecore cooling pack	•	•	•	•	LED Interior lights	•	•	•	•
Auto reversing fan	+	+	+	+	Tilt and telescopic steering column	•	•	•	•
TRANSMISSION / AXLES					ADJUSTABLE JOYSTICK CONTROL CONSOLE AND ARMREST				
8 speed Powershift transmission	•	•	•	•	Front and rear wash / wipe	•	•	•	•
Lock-up torque converter in gears 1 - 8	×	•	×	•	3 speed heater fan	•	•	•	•
Lock-up torque converter in gears 5 - 8	•	×	•	×	Air conditioning	+	+	+	+
40kph travel speed	•	•	•	•	RH opening window with lock back	•	•	•	•
50kph travel speed	×	+	×	+	LH opening door with door lock back	•	•	•	•
Transmissions disconnect on footbrake	•	•	•	•	LH Sliding window	+	+	+	+
Forward / reverse controls on joystick	•	•	•	•	Single lever joystick controls	•	•	•	•
Column mounted transmission selector	•	•	•	•	Loader control isolator	•	•	•	•
In board oil immersed disc brakes	•	•	•	•	External rear view mirrors	•	•	•	•
Limited slip differentials front and rear	•	•	•	•	Front and roof screen blinds	•	•	•	•
HYDRAULICS					CHASSIS AND BODYWORK				
Servo controls	•	•	•	•	Articulated steering	•	•	•	•
Flow sharing hydraulics	•	•	•	•	Centre pivot oscillation	•	•	•	•
Proportional boom and auxiliary controls	•	•	•	•	Plastic front and rear fenders	•	•	•	•
Adjustable constant flow hydraulics	•	•	•	•	Fixed bottom step	•	•	•	•
Variable displacement piston pump	•	•	•	•	Full width rear counterweight	•	•	•	•
Priority steer valve	•	•	•	•	Recovery hitch	•	•	•	•
Hose burst check valves	•	•	•	•	Prop shaft guard	•	•	•	•
JCB Adaptive Load Control	•	•	•	•	Grease gun and cartridge	+	+	+	+
JCB Smoothride system	+	+	+	+	Deluxe exterior mirrors	+	•	•	•
Biodegradable hydraulic oil	+	+	+	+	Hydraulic tow hitch (8000kg)	+	+	+	+
					Rockinger hitch (15000kg)	+	+	+	+
					Rear electrics	+	+	+	+
					Trailer braking single line	+	+	+	+
					Trailer braking twin line	+	+	+	+
					Rear auxiliary	+	+	+	+
					Rear belly guards	+	+	+	+

STANDARD/OPTIONAL EQUIPMENT									
Machine model	TM320	TM320S	TM420	TM420S	Machine model	TM320	TM320S	TM420	TM420S
ELECTRICAL					LOADER				
LED road lights rear	•	•	•	•	Centre mounted single stage telescopic boom	•	•	•	•
LED road lights front	+	+	+	+	Parallel lift	•	•	•	•
Reverse lights	•	•	•	•	End damping on boom lower, extend and retract	•	•	•	•
Battery isolator	•	•	•	•	Pin and Cone carriage	+	+	+	+
Direction indicators	•	•	•	•	JCB Q-fit carriage	+	+	+	+
Rotating beacon	+	+	+	+	Industrial carriage	+	+	+	+
Twin beacons	+	+	+	+	Electrical in cab quickhitch pin isolation	•	•	•	•
LED front and rear worklights	+	+	+	+	3/4" Auxiliary couplers	X	X	+	+
LED boom worklights	+	+	+	+					
Twin reverse light kit	+	+	+	+	ATTACHMENTS				
Reverse foglight kit*	+	+	+	+	Grain shovel 4.0m ³	X	X	+	+
LiveLink telematics	•	•	•	•	Grain shovel 2.7m ³	+	+	+	+
LED 360 degree worklights	+	+	+	+	Muck grab 2.4m ³	X	X	+	+
LED tow hitch light	+	+	+	+	GP shovel 1.0m ³	+	+	X	X
12v in-cab power socket	•	•	•	•	GP shovel 1.6m ³	X	X	+	+
Reverse camera with colour screen	•	•	•	•	Pallet forks 1067mm	+	+	+	+
Auxiliary venting	•	•	•	•	Pallet forks 1200mm	+	+	+	+
Reverse alarm	•	•	•	•					
White noise reverse alarm	+	+	+	+					
Multi-media port (USB and 3.5mm)	•	•	•	•					
Bluetooth radio	+	+	+	+					
Roof wiper	+	+	+	+					
Step lighting	•	•	•	•					
Walk-me-home lighting	•	•	•	•					
Heated front screen*	+	+	+	+					
Programmable smart key	•	•	•	•					
Automatic boom worklights	+	+	+	+					
Automatic rear worklights	•	•	•	•					
Automatic tow hitch light	+	+	+	+					

*Not Tractor Homologated

- STANDARD** •
- OPTIONAL** +
- NOT AVAILABLE** X

NB. Regional variations may apply to standard and optional equipment



ONE COMPANY, OVER 300 MACHINES.

Your nearest JCB dealer

Telescopic Wheel Loader TM320 / TM320S / TM420 / TM420S

Gross power: 97kW/130hp – 129kW/173hp Lift capacity: 3200kg – 4100kg Lift height: 5.2m – 5.45m

JCB Agriculture, Rocester, Staffordshire ST14 5JP.

Tel: +44 (0)1889 590312 Email: salesinfo@jcb.com

Download the very latest information on this product range at: www.jcb.com

[f facebook.com/JCBAg](https://www.facebook.com/JCBAg)
[@JCBAgriculture](https://twitter.com/JCBAgriculture)
[t JCBAgriculture](https://www.youtube.com/JCBAgriculture)
[y youtube.com/JCBAgriculture](https://www.youtube.com/JCBAgriculture)

©2014 JCB Sales. All rights reserved. No part of this publication may be reproduced, stored in a retrieval system, or transmitted in any form or by any other means, electronic, mechanical, photocopying or otherwise, without prior permission from JCB Sales. All references in this publication to operating weights, sizes, capacities and other performance measurements are provided for guidance only and may vary dependant upon the exact specification of machine. They should not therefore be relied upon in relation to suitability for a particular application. Guidance and advice should always be sought from your JCB Dealer. JCB reserves the right to change specifications without notice. Illustrations and specifications shown may include optional equipment and accessories. All images are correct at time of print. The JCB logo is a registered trademark of J C Bamford Excavators Ltd.

