

Wheeled Paver

# SUPER 1303-3

Compact Class



Maximum Pave Width 4.5m  
Maximum Laydown Rate 250t/h  
Transport Width 1.85m

## The Highlights of the New Generation

» Outside turning radius 3.8m with new "Pivot Steer" function

» ErgoPlus 3 with a number of additional ergonomic and functional advantages

» "AutoSet Basic" function permit a quick and safe move of the paver on the job site

» Powerful Deutz engine of the very latest generation



## Compact Size, Big Performance



Minor municipal roads, farm tracks, foot and cycle paths or small to medium-sized areas – if this is the kind of paving jobs you need to get done, then the VÖGELE SUPER 1303-3 joins your game.

This wheeled paver features extremely compact design and superb maneuverability. A basic width

of 1.85m and an overall length of just 4.95m make the paver ideal for jobs in confined spaces.

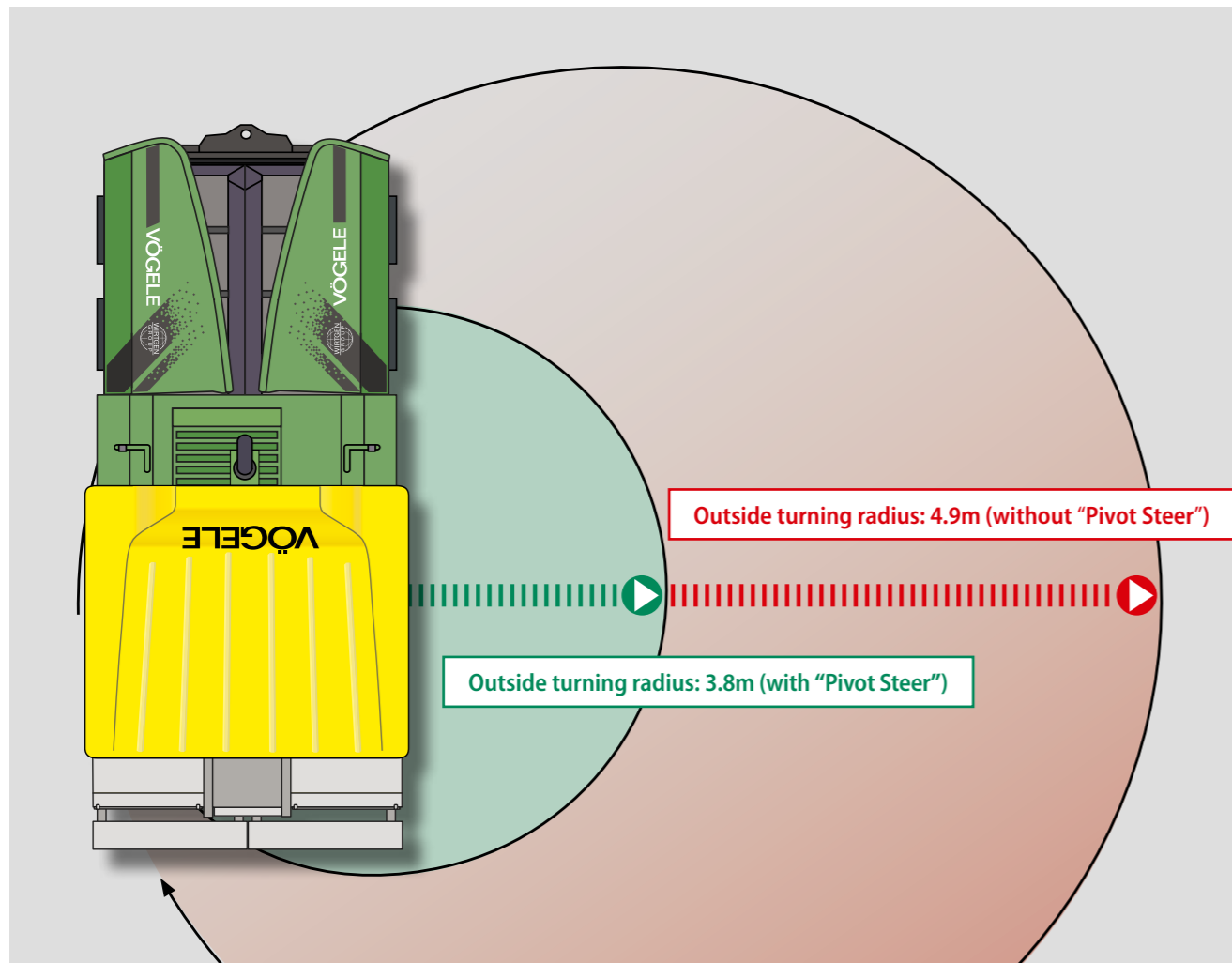
The VÖGELE ErgoPlus 3 operating system has been supplemented by numerous ergonomic and functional features for the “Dash 3” generation. The paver operator’s console, for example, comes with a large colour display

which provides brilliant readability even in poor lighting conditions.

Though a compact-size machine, SUPER 1303-3 stands out through excellent performance due to its perfected overall concept. Powered by a Deutz engine rated at 74.4kW, the paver achieves laydown rates up to 250t/h.

Coming with an AB 340 Extending Screed in TV version for pave widths up to 4.5m, the SUPER 1303-3 conveniently handles medium-sized jobs as well.

## Increased Mobility Thanks to "Pivot Steer"



The "Pivot Steer" steering brake reduces the torque of the rear inner wheel on "Dash 3" pavers, enabling them to turn almost on the spot and reducing the outside turning radius to as little as 3.8m.

The function can be activated in Job Site Mode for either forward or reverse travel and greatly improves the maneuverability of the machine on cramped job sites.

» The small turning radius (outside) of just 3.8m delivers the maneuverability needed when working in tight spaces.

» The slim paver design without protruding edges and an overall length of no more than 4.95m renders the machine ideal for paving on small job sites.

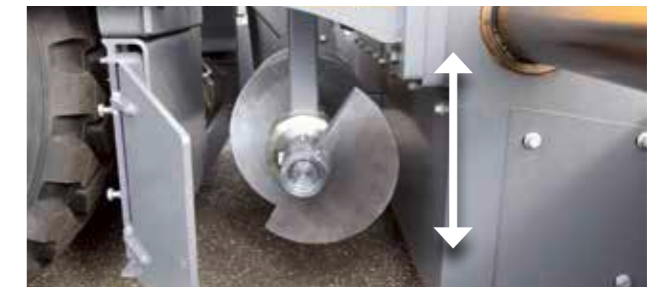
» Paver easily gets in or out of confined working areas as push-rollers fold up together with the hopper sides.

» The hardtop of glass fibre reinforced polymer material folds down with effortless ease, thus getting the paver quickly ready for transport.

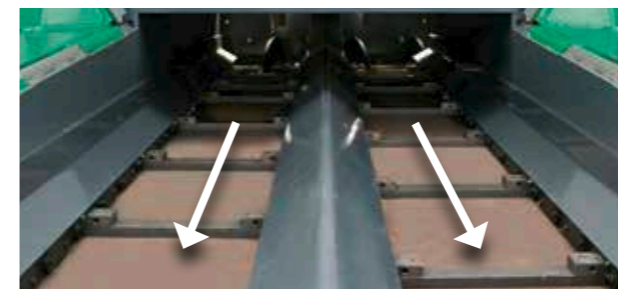
## "AutoSet Basic" Repositioning Function



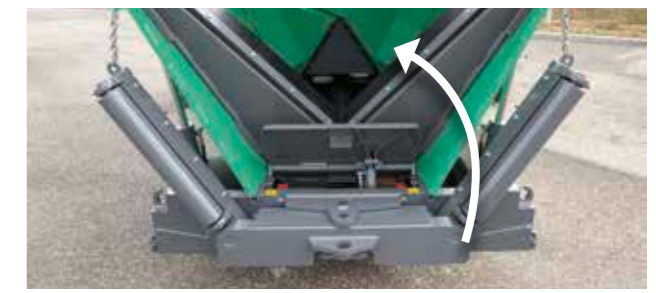
1 Raise/lower screed



2 Raise/lower auger



3 Conveyor movement reversible for a short time



4 Raise hopper front



The "AutoSet Basic" repositioning function is activated just by pushing the "Execute" button.

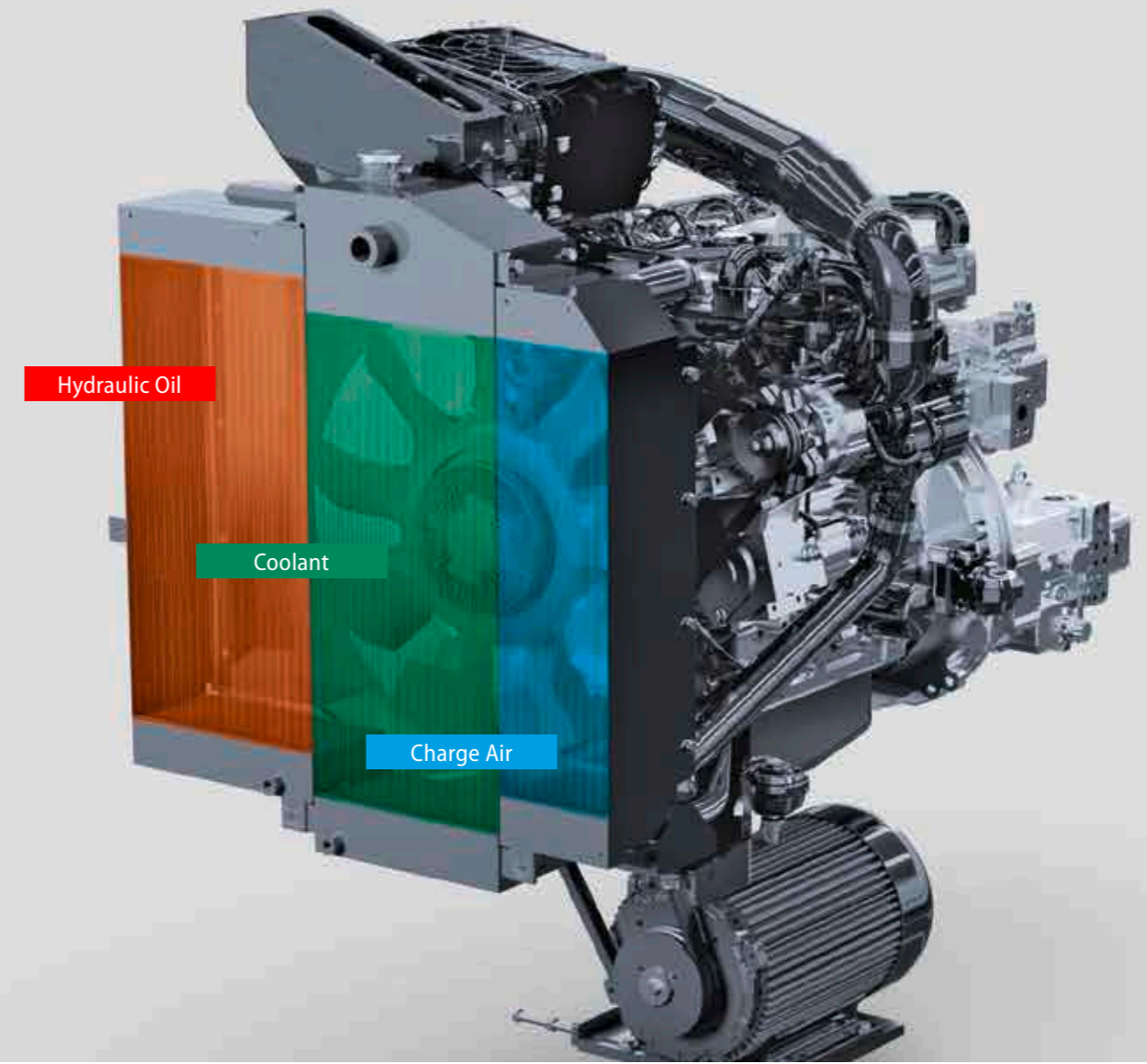
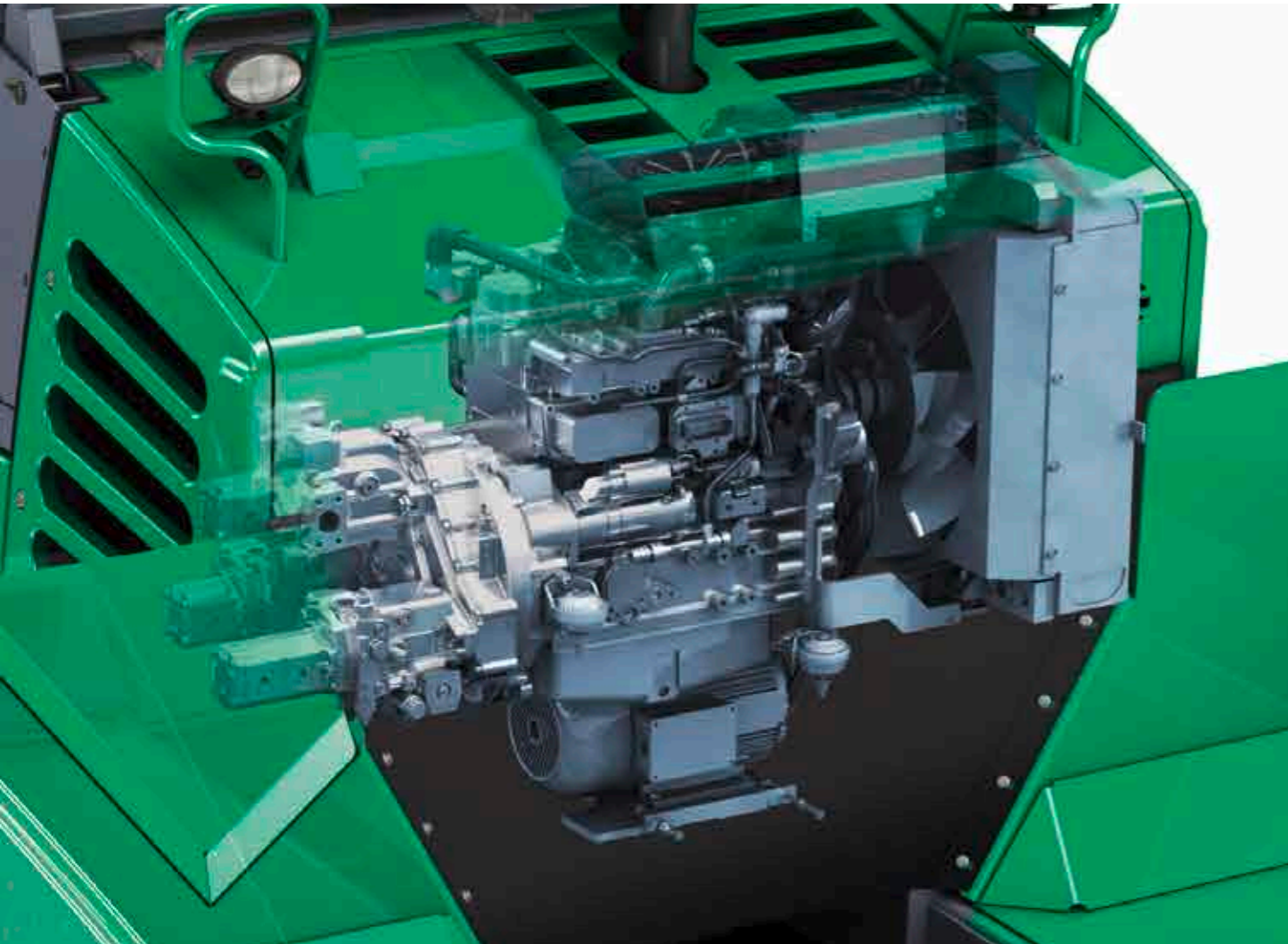
"AutoSet Basic" is especially helpful when the machine frequently has to be moved on the job site.

Simply pressing the "Execute" button raises the augers and the hydraulically operated hopper front to the uppermost positions. The screed is brought into its transport position. The conveyors are temporarily reversed, preventing mix falling to the ground when the paver travels to the next work section on site.

Once the paver has been repositioned, pressing the "Execute" button again returns all systems to the previously stored working position.

This ensures that no settings are lost when changing from paving to repositioning or transport. It also effectively prevents any damage to the machine.

# Modern Drive Technology



The SUPER 1303-3 is powered by a high-performance Deutz diesel engine rated at 74.4kW.

The modern engine complies with the European emissions standard 3a, as well as the US standard EPA Tier 3.

The right temperature, however, is not important for the screed alone. In all climatic zones the world over, the large cooler assembly and innovative air routing provide for optimal temperature levels of engine coolant, hydraulic oil and charge air, while at the same time keeping noise emissions low.

» **Modern and powerful Deutz engine** rated at 74.4kW delivering ample power for every paving job.

» **ECO Mode** (68.2kW at 1,600 rpm) is sufficient for many paving applications. The engine's noise emission, low anyway, is further decreased when working in ECO Mode. In addition, ECO Mode reduces fuel consumption and wear.

» **Powerful three-phase A.C. generator** with generator management controlling generator output in compliance with your pave width. Heating the screed to operating temperature takes a short time only.

» **The large cooler assembly** provides for optimum cooling even when operating at full load, thus increasing the service life of the paver systems.

» **For hydraulic functions**, powerful separate drives are installed operating in closed circuits. This solution allows engine output to be transformed highly efficiently into hydraulic paver performance.

# VÖGELE ErgoPlus 3

## The User-Friendly Operating System

Even the very best machine with the most advanced technology can only really show its strengths if it can be operated easily and as intuitively as possible. At the same time, it should offer an ergonomic and safe working environment for the operating team. Therefore, the ErgoPlus 3 operating concept focuses on the operator.

On the following pages you will find detailed information on the extensive functions of the ErgoPlus 3 operating concept. ErgoPlus 3 encompasses workplaces for the operator's stand and the screed – i.e. the paver operator's console and screed console – and Niveltronic Plus, the System for Automated Grade and Slope Control.

The operating consoles are designed for optimum clarity, presenting all paver functions in logical groups. There's a place for everything and everything in its place on the operator's stand, and the paver operator has an excellent overview of all the key points of the paver.

All told, the ErgoPlus 3 operating concept enables the operators to respond to job site working processes and situations more quickly and accurately, giving them total control over the machine and the project.

## The Major Advantages of ErgoPlus 3

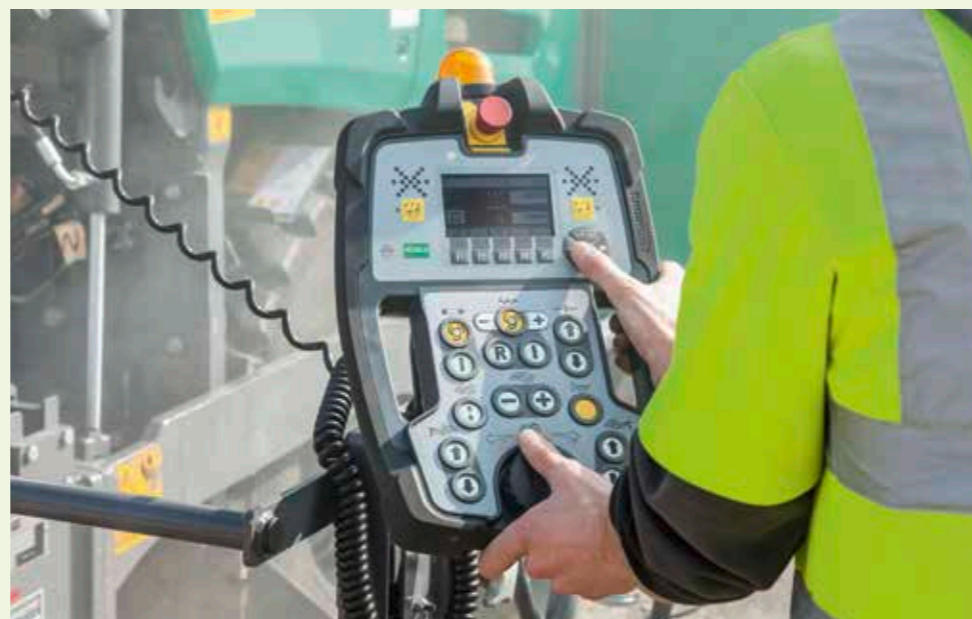
- » Clearly arranged and tidy workplaces offer a high degree of safety.
- » The paver operator's seats and the operating console are adjusted conveniently and easily to meet his personal needs. This provides a maximum of ergonomic comfort.
- » All vital paver functions are clustered in logical groups on the paver operator's console. Their operation is quick and easy to learn.
- » The ErgoPlus 3 paver operator's console is of modular design. This smart concept is not only ideal in practice, but also saves costs. It offers the great advantage that single modules can be replaced if necessary without needing to replace the entire unit.
- » Easy operation of VÖGELE Niveltronic Plus, the fully integrated System for Automated Grade and Slope Control, to achieve perfect paving results.

## New Developments in ErgoPlus 3

- » The paver operator's console comes with a large colour display ensuring brilliant readability even in poor lighting conditions.
- » "SmartWheel" for precise screed width control.
- » Thanks to their sturdy design, the screed consoles are well equipped to deal with tough job site conditions.
- » Ergonomic and safe working with the newly designed screeds.



Paver Operator's ErgoPlus 3 Console



ErgoPlus 3 Screed Console



Ergonomic ErgoPlus 3 Workplaces

# The Paver Operator's **ErgoPlus 3 Console**

*Full Control for the Machine Operator*



# The Paver Operator's ErgoPlus 3 Console

Clear and Logical Arrangement of Controls

## Examples of Paver Functions

### Reversing Conveyor Movement

In order to avoid mix dropping from the conveyors during a move of the paver on the job site, conveyor movement can be reversed at the push of a button. Reverse movement, transferring mix from the rear of the conveyor tunnel back inside, takes place for a short time only and stops automatically.



### No-Load Function

The No-Load Function is provided for the warm-up or cleaning of conveyors, augers and tamper.



### Automatic Functions

For conveyors and augers, operators can easily select "Manual Mode" or "Automatic Mode". When selecting "Automatic Mode" for the augers, sensors installed for the mix level in the auger tunnel provide that exactly the desired amount of mix is spread in front of the screed.



### Choice of Operating Modes for the Paver

On the ErgoPlus 3 console, 5 different operating modes for the paver are available to select from. By pressing the arrow buttons, up or down, the operator changes modes in the following order: "Road Travel", "Neutral", "Job Site Mode", "Positioning Mode" and "Pave Mode". An LED indicates the mode selected. When leaving "Pave Mode", a smart Memory feature stores the last settings for paver functions so that, when resuming work after a move of the paver on site, these settings are restored automatically.



The paver operator's ErgoPlus 3 console has been designed according to practice-related principles. All controls are clearly arranged. Paver functions are clustered in logical groups so that operators find their controls just where they would expect them to be.

On the ErgoPlus 3 console, all push-buttons are easily identifiable by touch even when wearing work gloves. Once a button is pressed, off you go. This is due to the "Touch and Work" principle. This means that a function is executed directly – without a need to confirm. As darkness falls, the paver operator's console is back-lit automatically, as in a car. This makes night-time work easy and relaxed.



## MODULE 4

Display for set-up of vital paver functions on menu level 1. Secondary functions on menu level 2.

### Display of the Paver Operator's Console

The redesigned colour display has a high-contrast user interface ensuring brilliant readability even in poor lighting conditions. Vital information is shown on menu level 1, such as the positions of the screed tow point rams or the material level in the conveyor tunnel. Further paver functions such as speeds for tamper and vibrators or feed rate for the conveyors can easily be set up via the display, too. And the display gives access to machine-related information such as fuel consumption or service hours.



### Hopper Sides and Hydraulic Hopper Front (Option)

The hydraulically operated hopper front prevents spills of mix when feed lorries change. The two hopper sides can be folded separately or both together at the push of a button.



### Choice of Engine Speed Ranges

For the engine, there is a choice of three modes to select from: MIN, ECO and MAX. To switch modes for engine rpm, all the operator needs to do is press the arrow buttons, up or down. In ECO Mode, the engine delivers sufficient power for a great number of paving applications. Operating in ECO Mode reduces noise emission and fuel consumption considerably.



### Screed Assist (Option)

This button switches Screed Assist on (LED lights up) or off. Screed Assist pressure and balance can be set via the display. Screed Assist is active only when the screed is floating.



## MODULE 1

Conveyors and Augers, Traction

## MODULE 3

Material Hopper and Steering

## MODULE 2

Screed



# The ErgoPlus 3 Screed Console

The screed is crucial for pavement quality. Therefore, easy and positive handling of all screed functions is of utmost importance for high-quality road construction.

With ErgoPlus 3, the screed operator has the process of paving at his fingertips. All functions are easily comprehensible and all controls are clearly arranged.



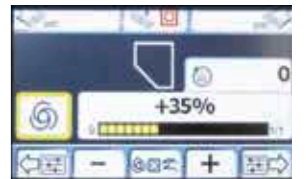
### The Screed Console

The screed console is designed in keeping with the conditions prevailing on the job site. Push-buttons are provided for the frequently used functions operated from the screed console. These are watertight and enclosed in palpably raised rings, so that they are identifiable blindfold simply by touch even when wearing work gloves. Important paver and screed data can be called up and adjusted from the screed console, too.



### The Display of the Screed Console

The display of the screed console allows the screed operator to control and monitor both the left and the right side of the screed. Machine-related parameters such as tamper speed or conveyor speed can be adjusted conveniently via the display panel of the screed console. The clear menu structure, combined with easily understandable, self-explanatory symbols neutral in language, makes operating the display panel both simple and safe.



### Niveltronic Plus (Option)

Niveltronic Plus, the cutting-edge VÖGELE System for Automated Grade and Slope Control, is very easy to learn and achieves outstanding paving results. All important functions of Niveltronic Plus can be accessed directly on menu level 1. The operator is provided with a variety of information, such as the sensor currently selected or the specified and actual values for layer thickness.

All sensors connected are recognized automatically by Niveltronic Plus and can be monitored and controlled from either screed console.



### Crown Adjustment at the Press of a Button

The crown can be conveniently adjusted at the press of a button on the screed operator's console. When pressing the "plus" or "minus" keys, the set crown value is shown on the display.



### Ergonomic Screed Width Control

The screed width can be effortlessly adjusted by means of the handy "SmartWheel".



## Ergonomic Workplace: The Operator's Stand



### Excellent All-Round Visibility

» The comfortable operator's stand gives an unobstructed view of all crucial areas on the paver such as material hopper, steering guide or screed. It allows the paver operator to closely monitor the paver's feed with mix and the process of paving.

» The seats swinging out to the sides and an operator's stand of streamlined design provide for maximum visibility of the auger tunnel, permitting the paver operator to keep an eye on the head of mix in front of the screed at all times.



### Working Comfort

» A few adjustments are all it takes for the paver operator to position his console exactly in keeping with his personal needs. It can be displaced across the full width of the operator's stand, swivelled out to the sides and tilted.

» When working with the seat swung out, the paver operator's console can be swivelled out together with the operator's seat. In this way, an ergonomically optimized workplace is set up in no time at all. Additional legroom lets the operator work more comfortably on the "Dash 3" pavers.



### A Place for Everything and Everything in its Place

» The operator's stand, with its streamlined design, is well organized, offering the paver operator a professional workplace.

» The operator's console can be protected by a shatter-proof cover to prevent wilful damage.

» Plenty of stowage space makes it easy to keep the machine tidy. Access to all vital service points on the machine has been designed to be extremely clear and ergonomic.

### Hardtop Gives Excellent Protection

» A modern hardtop of glass fibre reinforced polymer material shelters the operator whether rain or shine.

» Wide sunshades extending easily give the operator optimal protection even with his seat moved out.

» The hardtop lowers down quickly and with effortless ease by a manually operated hydraulic pump.



## Ergonomic Workplace: The Screed

### New Walkway and Ascent

» The ergonomic walkway and low steps leading to the operator's stand are safe and very convenient.

» All steps are visible from above.



### Soundproofing

» Covers, walkway and ascent are rubber-cushioned to reduce noise.



### Ergonomic Screed Console

» Easy to adjust.

» The high-contrast colour display can be read clearly from all angles.

» "SmartWheel" for fatigue-free screed width control.





VÖGELE

WIRTGEN  
GROUP

## Travels Swiftly Under Its Own Power



- » Moves quickly on the job site and travels rapidly on public roads (up to 20km/h).
- » The paver's Operating Authorization Certificate facilitates, in many countries, issuance of a permit for travel on public roads.
- » Maximum power transmission thanks to separate, hydraulic drives provided for the rear wheels and one set of front wheels.
- » The front wheels are mounted on bogies. Bogies oscillating in a longitudinal direction compensate minor irregularities in the base and provide for permanent contact of the front wheels with the ground.
- » Electronic traction management guarantees optimum tractive effort and ensures a constant pave speed.

A powerful paver that's a comfortable drive on the road. The precise steering and handling characteristics make for the SUPER 1303-3's excellent manoeuvrability, as demonstrated by its outside turning radius of just 4.9m (3.8m with "Pivot Steer"). With its powerful traction drive, the machine can pave swiftly and travel on public roads at a maximum speed of 20km/h. So if its next job site is close at hand, there is no need for a low-bed trailer to transport the paver.

## Easy Feed with Mix

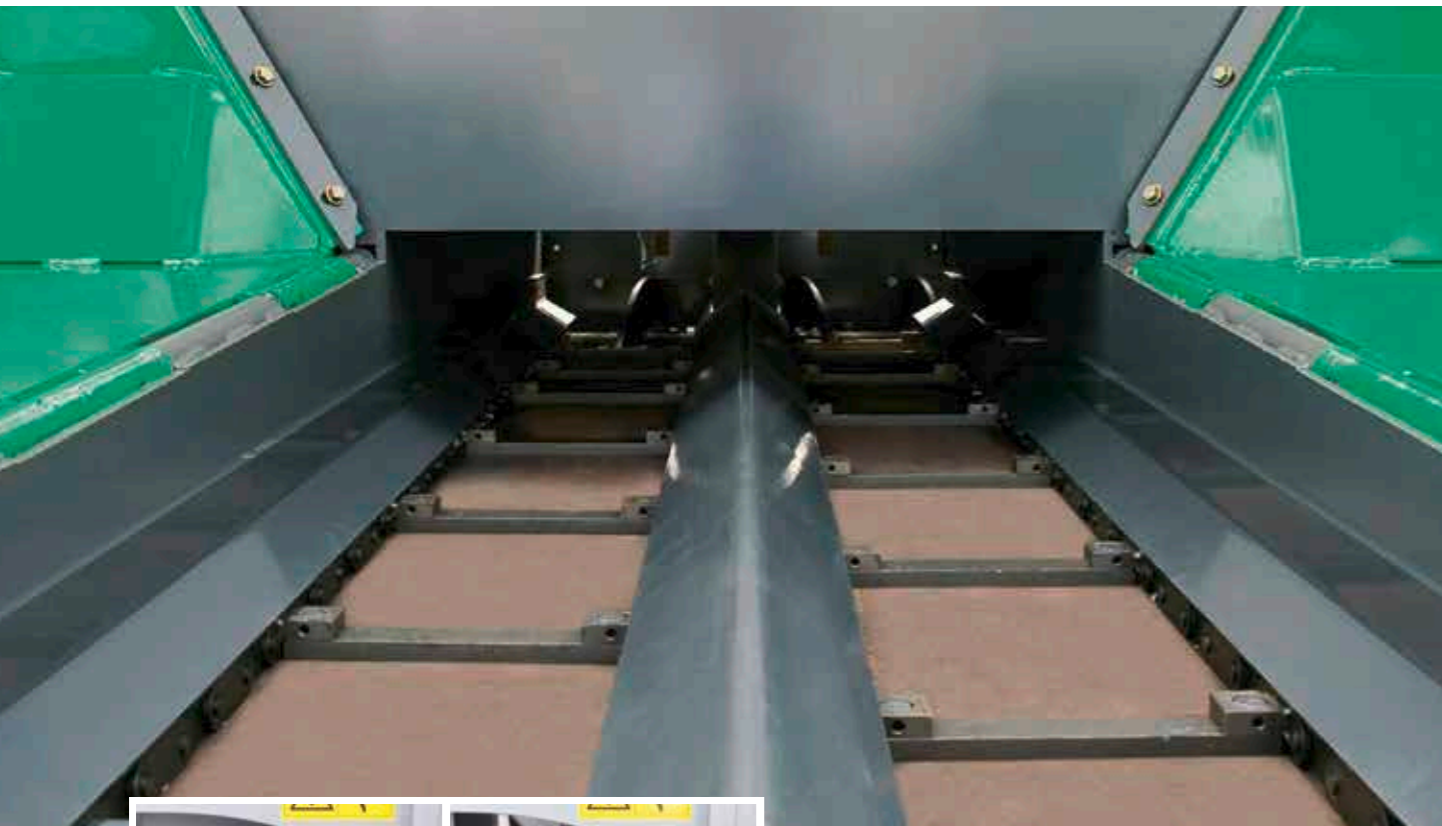


Despite the paver's slim profile, its material hopper holds 10 t. The hydraulic hopper front (option) supports both supply of the paver with mix and emptying of the material hopper. The paver comes with oscillating push-rollers to ensure the shock-free docking of feed vehicles.



- » The large material hopper holding 10t is amply dimensioned so that a sufficient quantity of mix is stored at all times. No problem to tide over situations where feed with mix may be difficult (narrow places, for instance).
- » Thanks to a hydraulically operated hopper front (option), no spills of mix when feed lorries change. Directs the mix inside the material hopper right onto the conveyors for complete emptying. No hand work with shovels required.
- » Oscillating push-rollers for convenient and shock-free docking also of large feed vehicles.
- » Hopper sides, folding separately, guarantee a consistent feed with mix even when paving in asymmetrical width along boundaries such as walls, for instance.

## Proportional Control Provided for Conveyors and Augers



The conveyance and spreading of mix in front of the screed is optimal thanks to the large conveyor tunnel, proportional control of conveyors and powerful augers. Furthermore, augers adjustable in height and folding limiting plates for the auger tunnel allow the paver to be moved on the job site without a need for conversion. This saves time and money.

» The large conveyor tunnel and powerful separate hydraulic drives for conveyors and augers allow extraordinarily high laydown rates up to 250t/h.

» Separate drive and control is installed for each conveyor and each auger. When operating in Automatic Mode, conveyors and augers are subject to continual monitoring. Proportional control provides for a constant head of mix in front of the screed.

» Automatic control for conveyor and augers allows the paver operator to focus on other essentials while paving.

» The height of the augers is infinitely variable by 13cm for uniform spreading of mix across the entire pave width.

» Folding limiting plates for the auger tunnel are installed to quickly set up the machine for paving within the range of 2.6m and 4.5m. There is no need for conversion.

## Maintenance is Quick and Easy



The identical servicing concept of the "Dash 3" pavers permits rapid, uncomplicated maintenance. All servicing points on the machine are easily accessible via large hinged panels.



» Large hinged panels give convenient access to all service points on the machine.

» All hydraulic pumps attached to the splitter gearbox. Their clear arrangement and easy access provides for service-friendliness at the highest level.

» The bearings of conveyors and augers are maintenance-free.

» Sturdy components of highly wear-resistant materials for long service lives minimize downtime.

» A uniform service concept for all VÖGELE pavers simplifies maintenance and cuts expenditure on training.

# Screed



For SUPER 1303-3, the AB 340 TV Extending Screed is the perfect match. The screed with a basic width of 1.8m extends hydraulically up to 3.4m. By addition of bolt-on extensions, it builds up to a maximum width of 4.5m.

AB 340 comes in TV version with tamper and vibrators for excellent degrees of compaction. Compacting systems are installed across the screed's full pave width, including bolt-on extensions.

» A typical VÖGELE feature also found in the AB 340 TV Extending Screed is electric heating. The modern, powerful screed heating system provides for quick and uniform heating to operating temperature, an essential for smooth surface texture.

» The unique VÖGELE single-tube telescoping system allows screed width control, accurate to the millimetre, up to 3.4m.

» Telescopic tubes are located in high positions, so that any contact with hot mix is positively avoided for impeccable extension and retraction of the screed and long service life.

» Excellent insulation of the screed plates reduces loss of heat to a minimum. Heating the screed takes a short time only, even with engine running at minimum rpm.

» Homogeneous surface texture due to uniform heating of screed plates and tamper bars.

» The time required for electric heating of the screed to reach operating temperature is reduced substantially thanks to intelligent generator management, even with engine running at minimum rpm.

# The Screed for SUPER 1303-3



## AB 340 TV

### Pave Widths

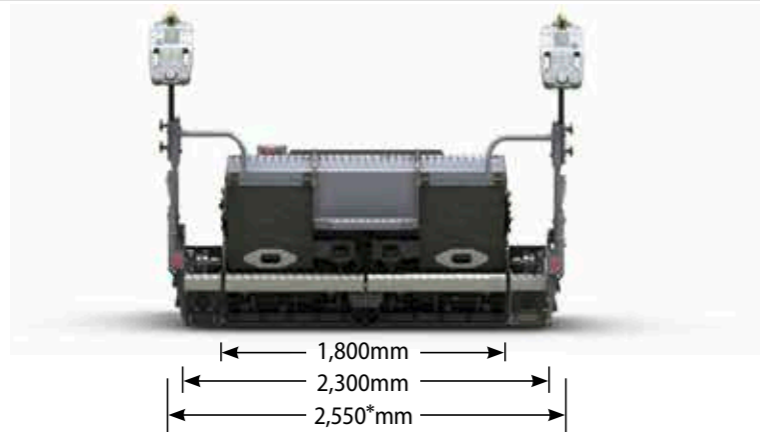
- » Infinitely variable range from 1.8m to 3.4m.
- » Larger widths through the addition of 2 bolt-on extensions, 25cm each, up to a maximum of 3.9m.
- » Larger widths through the addition of 2 bolt-on extensions, 55cm each, up to a maximum of 4.5m.
- » Smaller widths by fitting cut-off shoes down to a minimum of 75cm.

### Compacting Systems

- » Tamper and vibrators



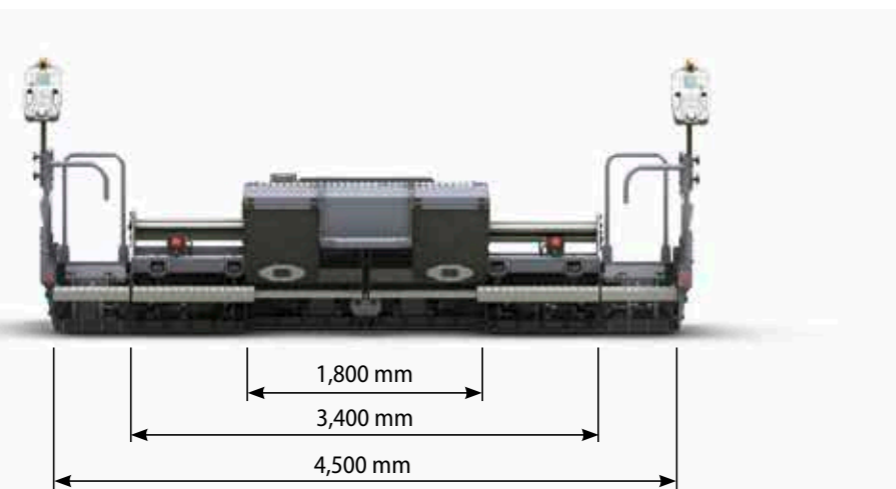
AB 340 TV with 25cm bolt-on extensions



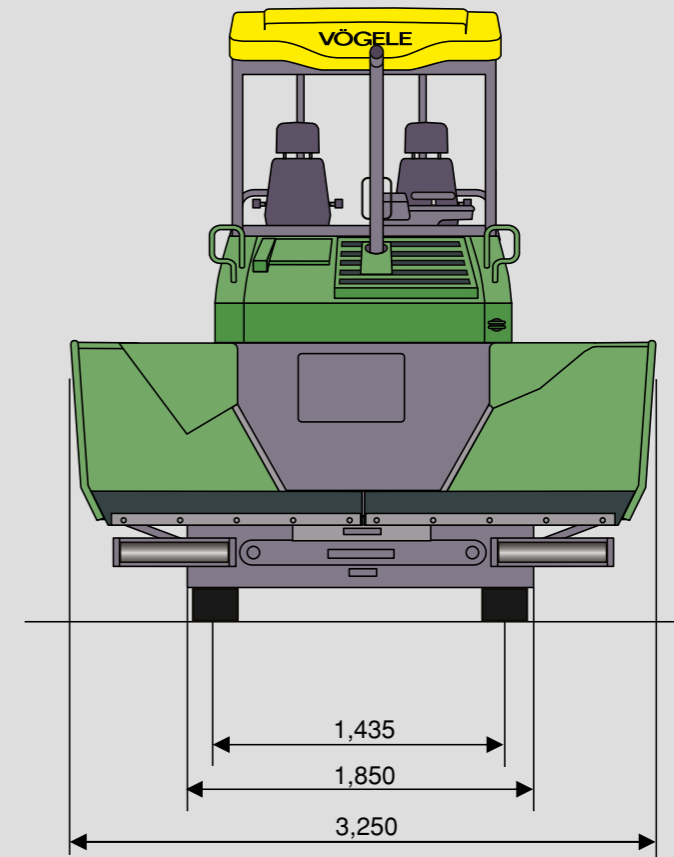
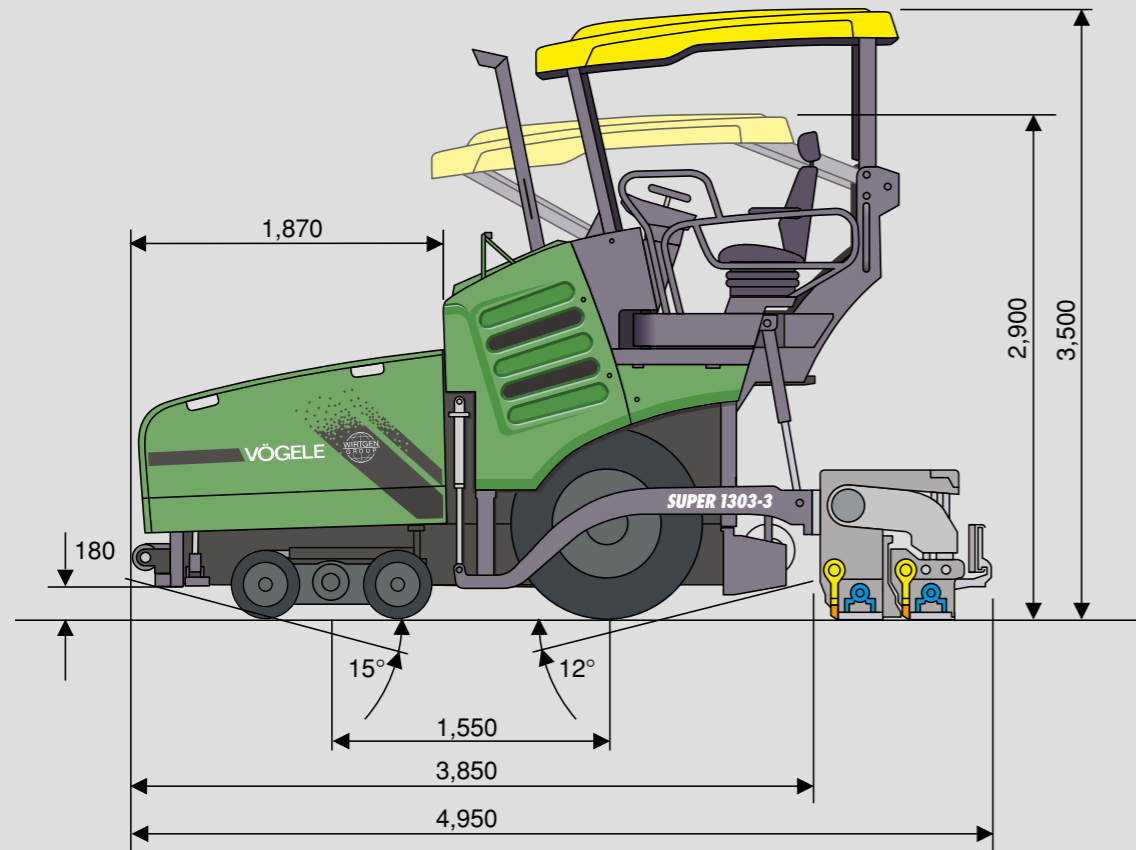
### Easy Transport

\*Even with bolt-on extensions and side plates fitted, the transport dimensions do not exceed 2.55m.

AB 340 TV with 55cm bolt-on extensions



# All the Facts at a Glance



Dimensions in mm

## POWER UNIT

SUPER 1303-3 (for all countries except EU/EFTA countries / USA / Canada)	
Engine:	4-cylinder Deutz diesel engine
Type:	TCD 3.6L4
Exhaust Emissions	
Standard:	EU Stage 3a, US EPA Tier 3
Output:	Nominal: 74.4kW at 2,000 rpm (according to DIN) ECO Mode: 68.2kW at 1,600 rpm
Fuel Tank:	100 litres
Electrical System:	24V

## UNDERCARRIAGE

Outside	
Turning Radius:	3.8m (with "Pivot Steer")
Power Steering:	hydraulic
Service Brake:	hydraulic
Auxiliary Brake:	hydraulic
Parking Brake:	spring-loaded multiple-disk brake, maintenance-free

## MATERIAL HOPPER

Hopper Capacity:	10t
Width:	3,245mm
Feed Height:	518mm (bottom of material hopper)
Push-Rollers:	oscillating, displaceable forwards by 80mm

## UNDERCARRIAGE

Front Wheels:	4, mounted on bogies
Tyre Equipment:	solid tyres
Tyre Size:	460/250 - 310mm
Rear Wheels:	2, pneumatic tyres
Tyre Size:	365/80 R 20 XZL TL 152K
Drive:	hydraulic, separate drive and electronic control provided for each wheel, Standard: 2 rear wheels and 2 front wheels powered
Speeds:	Paving: up to 30m/min., infinitely variable Travel: up to 20km/h, infinitely variable

## CONVEYORS AND AUGERS

Conveyors:	2, with replaceable feeder bars, conveyor movement reversible for a short time
	Drive: hydraulic, separate drive provided for each conveyor
	Speed: up to 25m/min., infinitely variable (manual or automatic)
	Conveyor Bearings: lifetime grease lubricated
Augers:	2, with replaceable auger blades, auger rotation reversible
	Diameter: 300mm
	Drive: hydraulic, separate drive provided for each auger
	Speed: up to 80 rpm, infinitely variable (manual or automatic)
	Auger Height:
	Standard: infinitely variable by 13cm, mechanical
	Option: infinitely variable by 13cm, hydraulic

## SCREED OPTIONS

AB 340:	basic width 1.8m, infinitely variable range 1.8m to 3.4m
	maximum width 4.5m
	minimum width 0.75m
	Reduction in Width: by cut-off shoes, 2 x 52.5cm
Screed Version:	TV
Layer Thickness:	up to 25cm
Screed Heating:	electric by heating rods
Power Supply:	three-phase A.C. generator

## DIMENSIONS AND WEIGHTS

Length:	4.95m
	(tractor unit and screed in transport position)
Weights:	Tractor unit with AB 340 screed in TV version
	- pave widths up to 3.4m: 10.5t
	- pave widths up to 4.5m: 11.2t

Key: T = equipped with Tamper V = equipped with Vibrators AB = Extending Screed

Technical alterations reserved.





Your VÖGELE QR Code leads you directly to the "SUPER 1303-3" on our website.



© ERGOPLUS, InLine Pave, NAVITRONIC, NAVITRONIC Basic, NAVITRONIC Plus, NIVELTRONIC, NIVELTRONIC Plus, RoadScan, SprayJet, VÖGELE and VÖGELE PowerFeeder are registered Community Trademarks of JOSEPH VÖGELE AG, Ludwigshafen/Rhein, Germany. PCC is a registered German Trademark of JOSEPH VÖGELE AG, Ludwigshafen/Rhein, Germany. ERGOPLUS, NAVITRONIC Plus, NAVITRONIC BASIC, NIVELTRONIC Plus, SprayJet, VISION, VÖGELE and VÖGELE PowerFeeder are trademarks registered in the US Patent and Trademark Office to JOSEPH VÖGELE AG, Ludwigshafen/Rhein, Germany. Legally binding claims cannot be derived from written information or pictures contained in this brochure. Pictures may include optional extras. We reserve the right of technical or design alterations.

## JOSEPH VÖGELE AG

Joseph-Vögele-Str. 1  
67075 Ludwigshafen · Germany  
marketing@voegele.info

Telephone: +49 (0)621 8105 0  
Fax: +49 (0)621 8105 461  
www.voegele.info

