



SF3502C TWO-TRACK CONCRETE SLIPFORM PAVER



**SF3502C
TWO-TRACK CONCRETE
SLIPFORM PAVER**

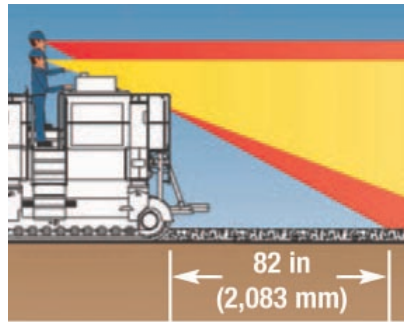
SF3502C

TWO-TRACK CONCRETE SLIPFORM PAVER

SF3502C TWO-TRACK CONCRETE SLIPFORM PAVER



Excellent visibility of slab behind paver.



Features

"Mid-Range" Class slipform paver for highway, industrial and airport concrete construction.

Versatile, high-production two-track design provides superior paving capabilities and performance unmatched in its size and class.

Sets the industry standard for ride smoothness – PI or IRI.

Caterpillar® Engine

Caterpillar Model C-9 (ATAAC) Industrial Diesel Engine, Performance power rated: 350 bhp/260 kW @ 2,200 rpm. Emission rated: Tier III (EPA)

4-stroke-cycle diesel engine: 6 cylinders, 4.41 in (112 mm) bore, 5.37 in (149 mm) stroke and 537 in (8.8 L) displacement turbocharged with air-to-air after-cooling, ADEM III electronic fuel management system, automatic altitude compensation.

Air cleaner, dry-type two-stage with service indicator, 24-volt electronic starting system, 60 amp alternator-charging blower fan, selectable/programmable electronic monitoring system.

Fuel Consumption: 18.3 gal/hr (69.3 l/h) @ 2,200 rpm.

Power Distribution System

Standard machine configuration includes six (6) axial piston-type hydrostatic pumps driven by engine-mounted 4-output pump drive gearbox.

Pumps included: two (2) 100 cc, EDC closed loop vibrator pumps; two (2) 75 cc, EDC-controlled auger drive pumps; one (1) tandem-track drive pump and one (1) open-loop pressure compensated dedicated control circuit pump. Optional pumps are available for additional vibrators and added attachments.

Drive System

Dual-range propel system with variable hydrostatic closed-loop systems drive for both forward and reverse. Paving range variable up to 35 ft/min (10.7 m/min). Travel range variable up to 83 ft/min (25 m/min).

EDC-controlled track drive and auger drive for accurate control of hydrostatic functions.

Sealed and lubricated tracks are driven hydrostatically through deep-reduction planetary gear reducers at a 336:1 ratio.

Track length 12 ft (3,660 mm) D-4 undercarriage components with 16 in (406 mm) triple-grouser street shoes, 16 in (406 mm) leg barrels with 30 in (762 mm) vertical stroke.

Hydraulic Oil Filtration

The hydraulic system is protected by a 3 micron (a)¹ filter between replenishing and main reservoirs. 3μ² (n)² return filters on track drive, auger drives and vibrator circuits and by 6μ (a) pressure and return filters on the AUX control system.

Notes

1. (a) = Absolute Rating: nothing greater than 3μ will pass the filter.
2. μ = symbol for micron: 1/1000th of a millimeter (0.001 mm) – the finest industrial filters.
3. (n) = Nominal Rating: 95% of particles greater than 6μ size will not pass.



Mainframe

Deep-section, telescoping mainframe is hydraulically adjustable up to 8 ft (2,438 mm) providing paving width ranges from 12 ft to 26 ft (3,658 mm to 7,925 mm) standard. Optional extensions expand paving width up to 34 ft (10,363 mm).

Water System

Hydraulically driven pump delivers 2,500 psi high-pressure water to hose and high-powered nozzle for clean-up and utility use. Onboard water storage capacity is 200 gal (758 L).

Grade Control

Hydra-mation® all-hydraulic control system is fully proportional. A pressure compensated, variable displacement pump provides hydraulic oil to the direct-acting servo-valve proportional sensors. Individual flow control at the sensors provides fine-tuning.

Elevation Control

Operator selection for automatic or manual mode. Four location control sensors with extendible mounting arms. Calibrated scale-adjusting hardware for each sensor.

Standard control system arrangement includes equipment for four-point control (dual stringline), lock-to-grade for automatic reference control of elevation, and left or right three-point suspension.

Steering

Operator selection for automatic or manual mode, forward or reverse. Right-hand or left-hand stringline steering control mounting. Separate operator selection for manual steering in transport mode. Calibrated scale hardware for adjusting sensor position and fine-tuning alignment. Counter-rotation possible in manual mode.

One steering sensor and circuitry to install reverse steering is standard and may be used in either forward or reverse direction.



Operator's console

Operator's Console

- Rubber-booted all-weather switches.
- Joystick controls for plow/auger and travel/paving.
- Synchronized sequential master pave and stop control.
- Central keyed lock-out for electrical system.
- Four operational stops at ground level locations.
- Selector switches for manual or automatic control of elevation or steering.
- Roll-top lockable anti-vandalism console cover.
- Entire console repositions for operation mode or recesses for transport.



Vibrator manifolds mounted on kit minimize assembly and disassembly time: less hydraulic hoses.

SERIES 6 PAVING PROCESS (STANDARD)

Crown
Unitized design segmented 60 in (1,524 mm) profile extrusion pan to control pumping; hydraulic powered rooftop crowning system with operator control and visual position indicator.

Profile Pan
Profile pan end sections are equipped with hydraulic-powered overbuild adjustments to compensate for the various concrete mix designs and slumps.

Sideforms
Standard sideform group: hydraulic powered vertical operating guillotine split sideform system. Allows independent control of front and rear side panel for "daysjoint," 0-18 in (457 mm) vertical raise operating range with ground level remote operating stations.

Hydraulic Vibrators & Manual Controls
Lo-density® hydraulic plumbing for reduced lines per circuit; single return circuit used for vibrator manifold reducing number of hydraulic lines.
Twenty-four (24) vibrator circuits, vibrator manifold mounted to kit frame; vibrator circuits individually controlled electronically through potentiometers mounted on operator center console. Twenty (20) hydraulic internal paving vibrators suspended on parallelogram linkage, hydraulically adjustable from operator's console.

Plow
Concrete distribution is provided by hydraulic-powered spreader plow which is adjustable in height and travel speed. Spreader plow mounting and drive frame telescopes hydraulically with paver frame providing width adjustments to meet profile requirements without additional bolt-in sections. Speed/directional controls operated at console by use of a single joystick.

Weight	
Basic Tractor	47,000 lb (21,319 kg)
	26 ft (7,920 mm) without paving kit
Paver	73,000 lb (33,112 kg)
	24 ft (7,320 mm) Series 6 paving kit

Dimensions	
Paving depth	to 18 in (0.457 m)
Height	12 ft 11 in (3,900 mm) plus paving depth
	13 ft 8 in (4,170 mm) top of stack

Paving Dimensions	
Standard	from 12 ft to 24 ft (3.66 m to 7.32 m)
Optional width	to 34 ft (10.36 m)
Overall paving length	15 ft 2.5 in (4.63 m)
Shipping width (24 ft paving)	30 ft 11 in (9,420 mm), less paving assembly and optional equipment
Track footprint loading width	29 ft 3 in (8,910 mm) truck in transport position
Shipping length	12 ft (3,660 mm) with 24 ft (7,320 mm) paving kit
Shipping height	10 ft 9 in (3,280 mm)

Fluid Capacities	
Fuel tank	180 gal (681 L)
Hydraulic oil tank	63 gal (238 L)
Hydraulic replenishing	10 gal (38 L)
Engine oil	6.5 gal (34 L)
Engine coolant	10.5 gal (40 L)
Auxiliary water supply	200 gal (757 L)

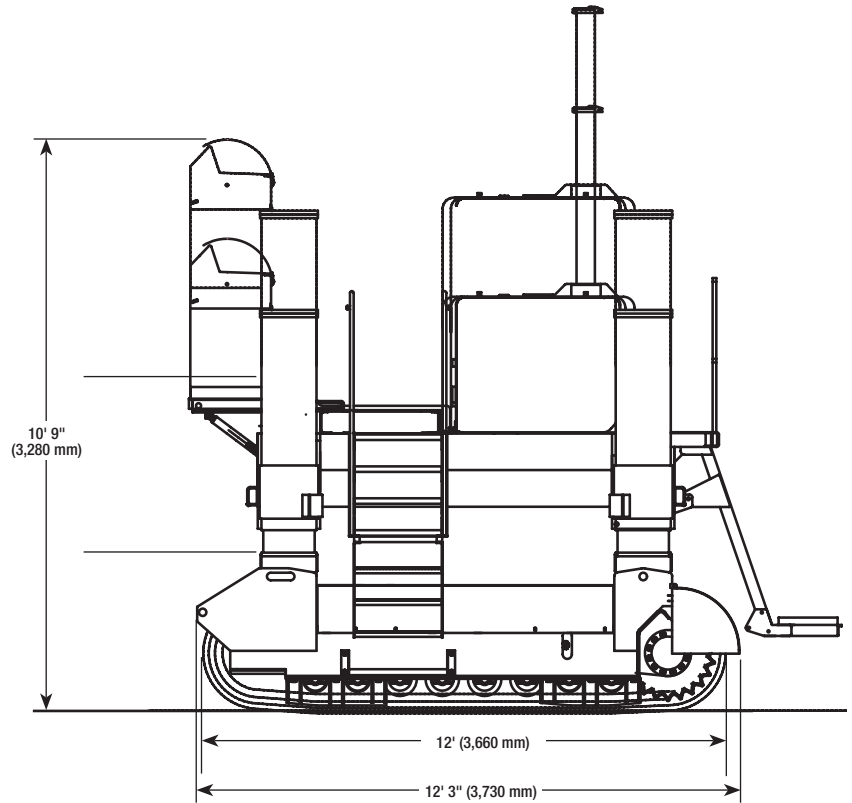
SF3502C Two-track Concrete Slipform Paver

Optional Equipment

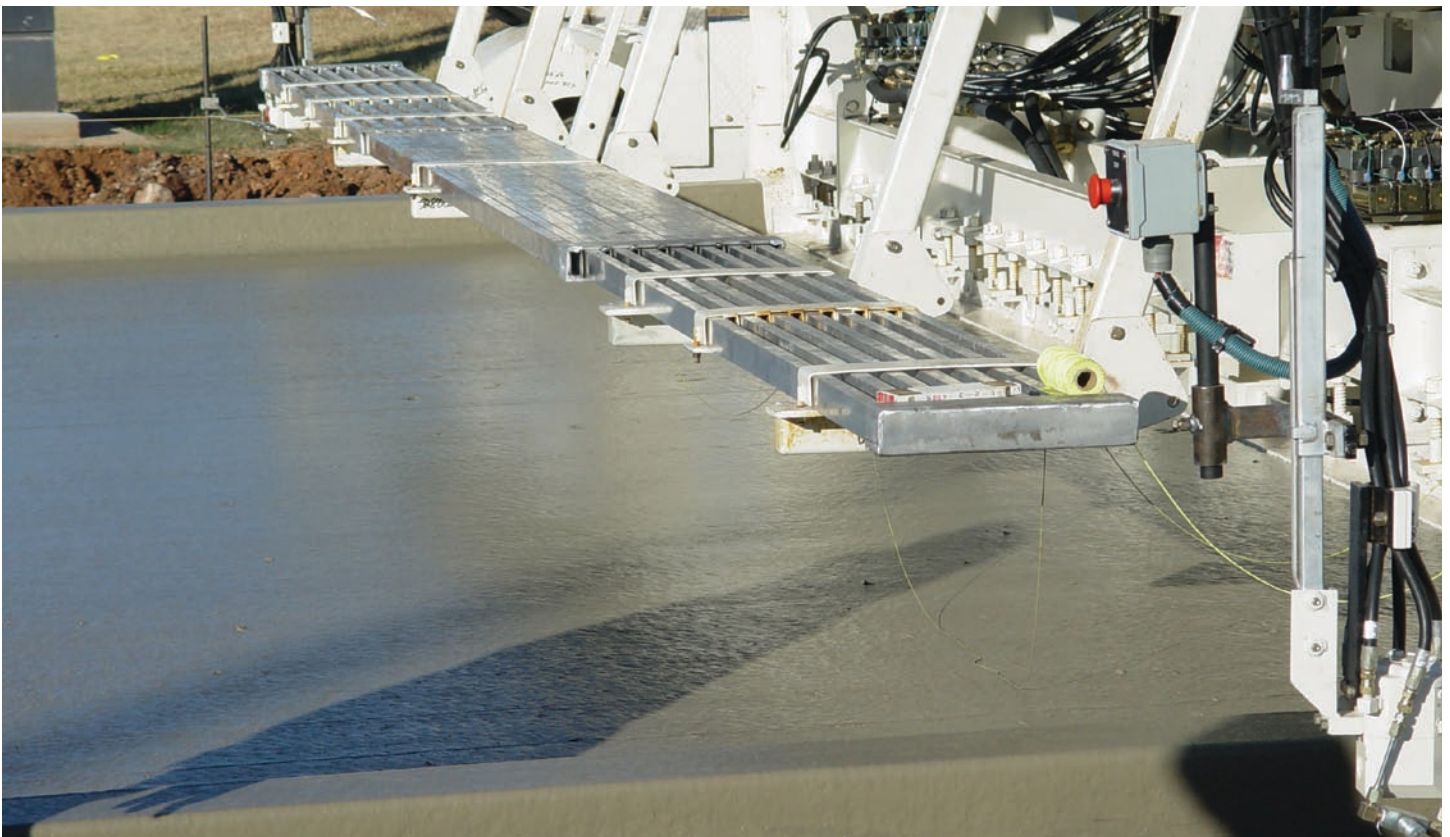
Heavy-duty severe-service augers
Polyurethane track pads
Hydraulically powered guillotine track guards
Metric dimension paving kit — 3.66 to 7.5 m (standard) 1 m (optional)
Right- and left-hand curbforms, integral or outboard
Hydraulic curbform block-off
Rear-mounted, magazine-load tie-bar inserter
Side tie-bar inserter for various style tie bars
Paving unit extensions in U.S. or metric dimensions
Propelling unit extensions: 6 ft (1,829 mm) and 7 ft (2,134 mm). Special extension available
Additional vibrators and controls: long eccentric, high-energy vibrators
54 in (1,372 mm) float pan with tow bars
Oscillating float finisher with automatic microprocessor controls
Tamper bar dual drive for wide-width paving
Auxiliary hydraulic supply pump (for rear-mounted attachments)
Auxiliary water system (for use with burlap drag)
Metal keyway former, right- and left-hand side
Adjacent-slab paving attachment
Adjacent-slab steering attachment

Important Note

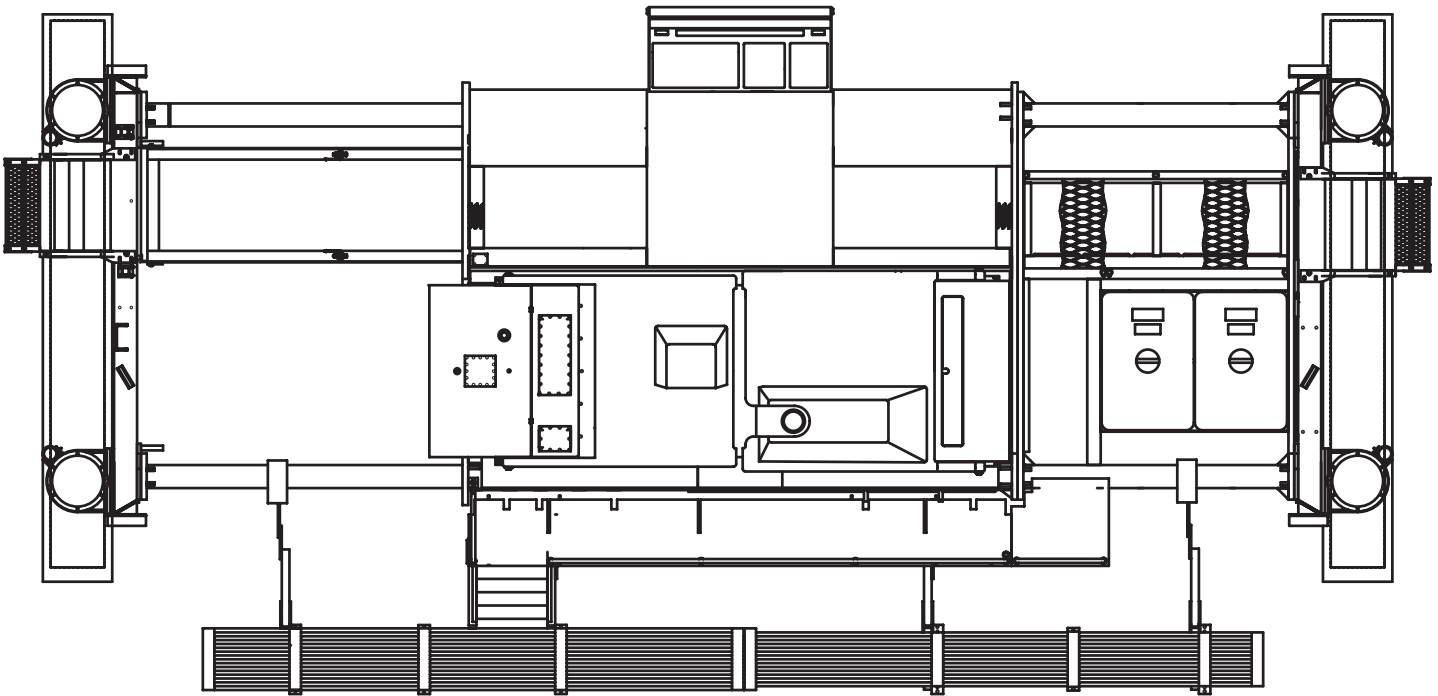
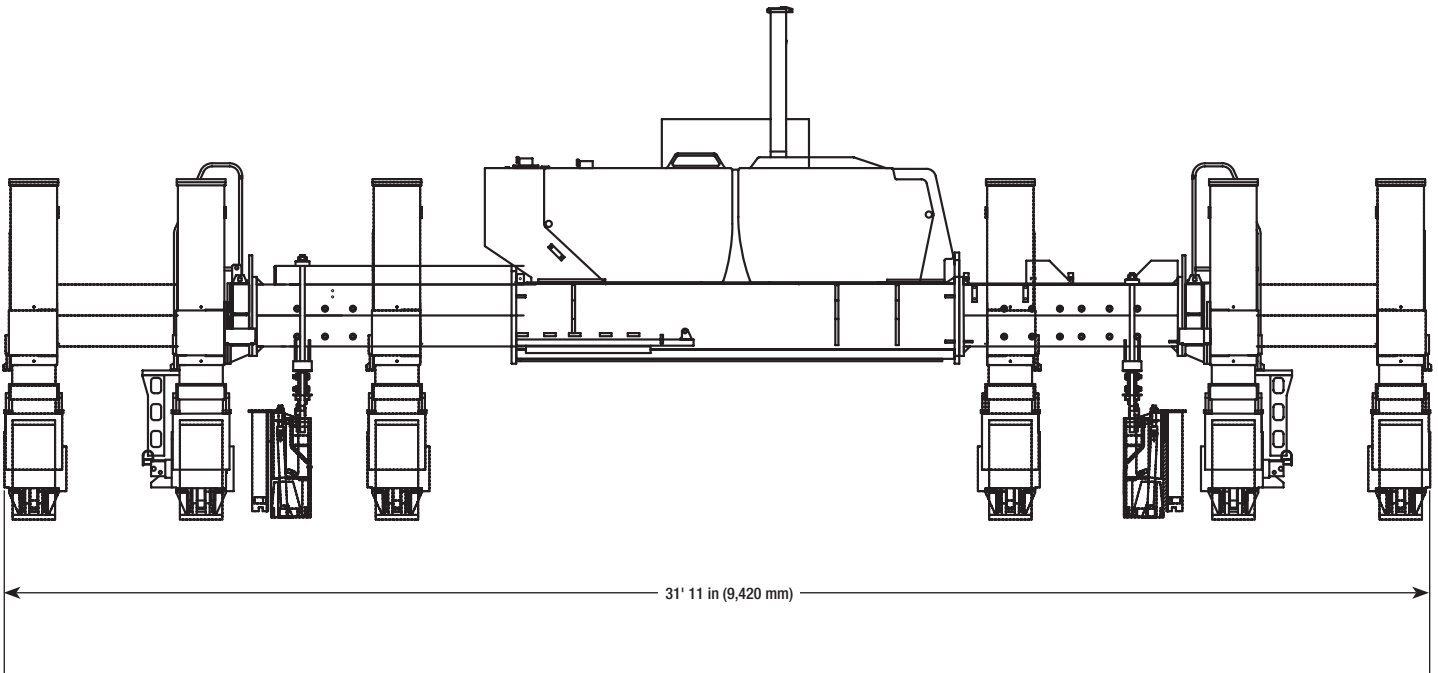
All electrical specifications used herein refer to U. S. Standards of voltage and frequency. Any electrical equipment that is factory-installed will be compatible with power availability requirements of any customer's country.



Remove track guard to get a 12 ft (3,660 mm) shipping width.



SF3502C Dimensions



Effective Date: August 2008. Product specifications and prices are subject to change without notice or obligation. The photographs and/or drawings in this document are for illustrative purposes only. Refer to the appropriate Operator's Manual for instructions on the proper use of this equipment. Failure to follow the appropriate Operator's Manual when using our equipment or to otherwise act irresponsibly may result in serious injury or death. The only warranty applicable to our equipment is the standard written warranty applicable to the particular product and sale and Terex makes no other warranty, express or implied. Products and services listed may be trademarks, service marks or trade names of Terex Corporation and/or its subsidiaries in the USA and other countries. All rights are reserved. Terex is a registered trademark of Terex Corporation in the USA and many other countries. Copyright 2008 Terex Corporation.

Terex Roadbuilding
P.O. Box 1985, Oklahoma City, OK 73101
(405) 787.6020 1-888-TEREXRB
www.terexrb.com

