

NOVA PEDESTRIAN STACKER

TSL / TSP

FOR LOADING/UNLOADING TRANSPORTATION AND STACKING IN DISTRIBUTION, AND PRODUCTION



ATLET

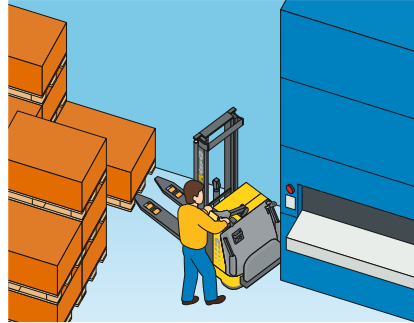
NOVA TO BE ON THE SAFE SIDE

While trucks have become ever more specialized and designed for specific tasks there is still a great need for a simple reliable truck which can be used for a wide range of duties.

If you like an all rounder, the pedestrian stacker is just that. Hence the prominent part it plays in most truck fleets.

IMPROVED SAFETY

But despite this popularity the pedestrian stacker is involved in its fair share of accidents. The reason for this lies in the way such trucks are driven and handled, drivers often walk or stand beside the truck when it is moving, or are unprotected when the driving platform raised for working in confined spaces (indeed the ped-



estrian stacker may not even have a platform).

Most of these incidents occur to feet, which can be caught under a wheel or trapped under the chassis. In other instances drivers have been pinned by the tiller arm.

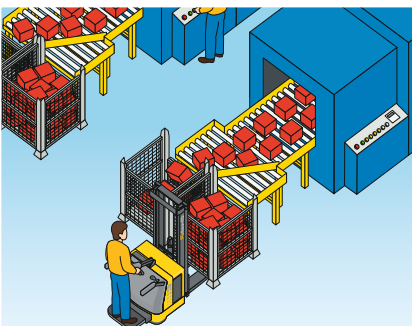
Even though not all of these incidents lead to real injury, they are nevertheless worrying and need to be reduced as much as possible. Careful design

can do this, as is the case with the NOVA. Foot injuries, caused by being run over, are virtually impossible, as are the crushing injuries, thanks to the design of the tiller arm.

With the pedestrian stacker the driving platform is the key to safe handling, the NOVA offering side restraints as well as a permanent guard.

And as driving characteristics also influence safety, the NOVA doesn't have a centrally placed, spring-loaded drive wheel, but one that is placed at the rear edge of a four-point construction giving maximum friction.

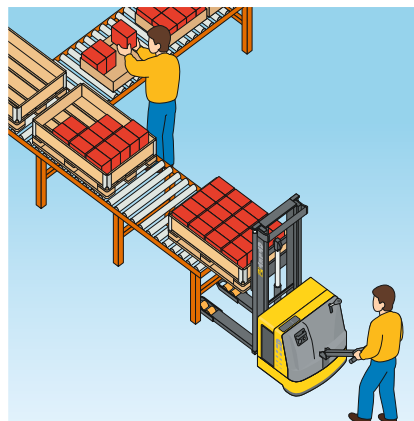
EVERYBODY'S TRUCK/A TRUCK FOR ALL REASONS



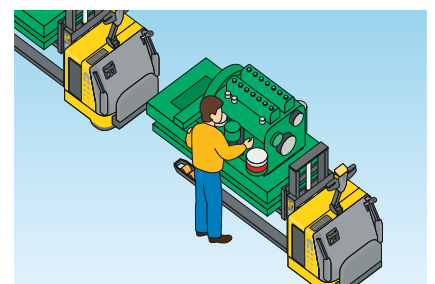
The NOVA in manufacturing and production

In manufacturing workshops trucks need to be able to handle pallets in very tight spaces. The standard NOVA is very easy to operate under such conditions. If very light steering

is needed the truck can be fitted with a servo which reduces the angle of the tiller arm and gives no awkward, extreme positions so driving is smooth and easy.



Feeding and fetching between machines and conveyor often requires manual work, so a truck needs to be able to work in different positions. The NOVA is particularly suitable as a mobile assembly station, since its working height is adjustable and the fork length can be adapted. Consequently it is possible for the NOVA

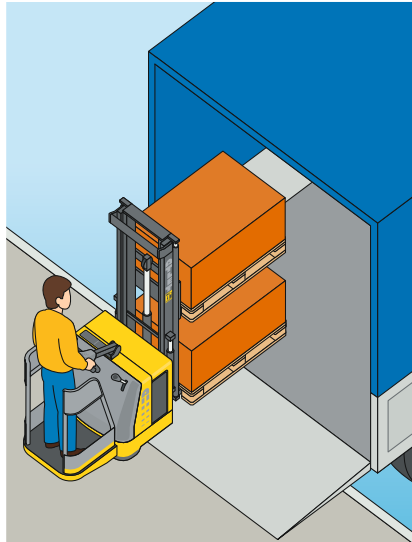
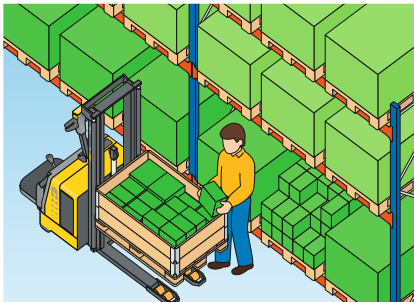


to store and retrieve pallets in production warehouses from heights up to 4.8m.

The NOVA in distribution warehouses

From stacking to order-picking the NOVA is a perfect performer for distribution and goods warehouses. And, depending on goods flow it can make an attractive alternative to rider stackers and reach trucks.

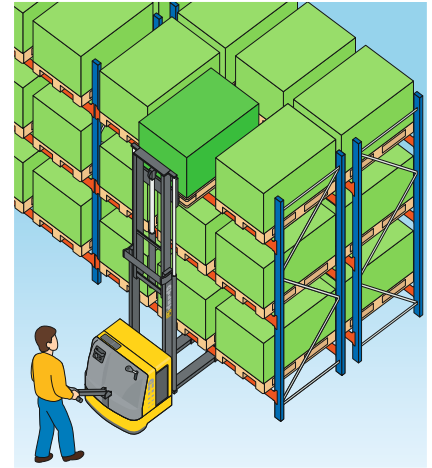
If stacking is combined with order-picking the NOVA is an excellent solution as the driver/picker can always choose a convenient fork height on which to place the goods.



NOVA, the Terminal Truck

To give more efficient use of lorry capacity a terminal truck needs to be able to load two levels of pallets onto the lorry. For such usage the NOVA is available in a special terminal version, equipped for double-pallet handling and with a modified mast.

With the NOVA the handling chain can be extended. Intermediate storage is possible in racking at reception and goods can be taken straight into the warehouse or to work stations.

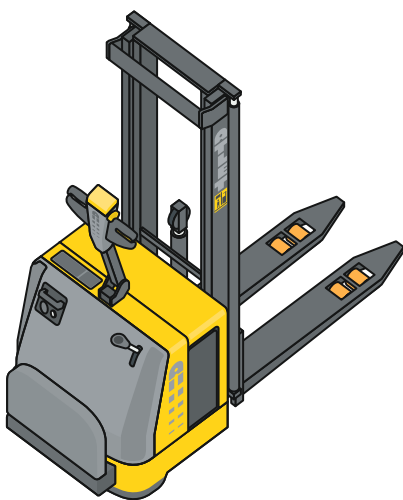


NOVA, the All-Round Truck

Many customers look for a truck which can cope with every type of handling which arises. In such cases the NOVA is outstanding, combining user-friendliness with maximum safety. Even inexperienced drivers can move goods safely and quickly.

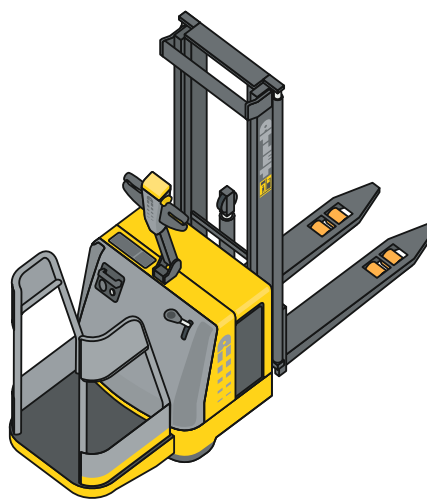
The NOVA's highly developed modular system allows it to be adapted to customers' requirements and changed to suit both driver and duty.

THE NOVA RANGE



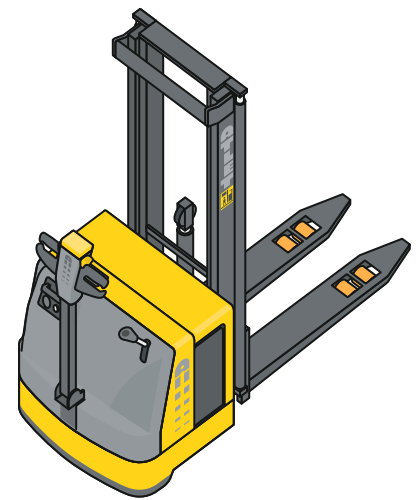
NOVA with folding driving platform

Gives greatest driving efficiency and easy 'get on and get off.'



NOVA with fixed driving platform and side guard

Gives the safest and speediest driving combination with full driver protection. Able to travel at maximum speed when lift height is below 1.8m.



NOVA without driving platform

Suitable for light handling duties. Pedestrian operation. Short cycles.



The NOVA has been designed for maximum safety. This applies to the goods and the driver as well as others working nearby.

Tiller arm: an emergency stop button and control unit are of tried and tested design, with a control button shield to prevent accidental operation.

The **emergency stop plate** on the tiller arm has been exhaustively tested and been found to be the safest solution. It allows for graduated operation so there is minimal strain during use and smooth changes of direction.



The **fork design** is very rigid minimising deflection

and lateral twisting.

The **castor** is hidden under the chassis so that it never protrudes from beneath the truck, so eliminating the risk of foot injury and the fouling of wheels.



Foot injuries are no longer possible since the NOVA has such a low chassis that feet or rather safety shoes cannot get beneath it. Castor and drive wheel are both retracted. If the truck makes contact with a foot it just pushes it out of the way.

The **driving platform** has a very stable construction so it will not droop and is capable of withstanding harder collisions than even the truck itself. The platform is covered with a non-slip rubber mat for extra safety and folds easily and quickly.

The **machine housing** has a wrap-around shape for extra safety and is also reinforced with a bumper, important for heavy duty work and demanding environments.

The position of the **drive wheel** gives the NOVA optimum handling performance. Most trucks have a drive wheel that is centrally positioned with spring loading creating friction. The NOVA's is at the rear (as with other Atlet stackers) ensuring that the wheel always has the correct pressure. Movements are consequently smoother with improved lateral stability and dangerous lurching eliminated. This wheel arrangement also reduces servicing and running costs.



The **driver's platform** comes in two versions with either a folding side restraint or a permanent protective guard that gives a relaxing position for long cycles.



The **lifting movement** is controlled by a slide valve with the control unit comfortably placed to the right of the tiller arm and giving fingertip precision.

If extremely precise lifting movement is required, electric lift is an option with the control mounted on the tiller arm handle.

Additional bins, tape holder, writing surfaces and the like can all be easily mounted on the truck's free surfaces.

THE NOVA IN PRACTICE

The NOVA offers a wide range of possible settings that makes it suitable for heavy industrial to light handling tasks, intensive shift work to intermittent usage.

Whatever the environment and the degree of handling required, opera-

tional reliability and economical handling are always vital.

The NOVA is built to Atlet's standard modular concept, with every component design tested and guaranteed for optimum operation. Standard components used in all Atlet

models offer an availability that is unsurpassed in the industry giving minimum servicing costs.

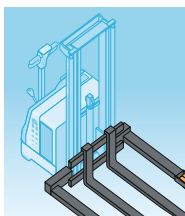
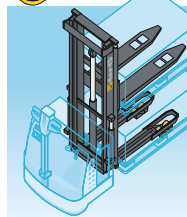
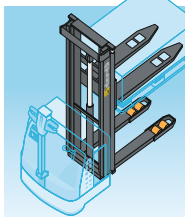
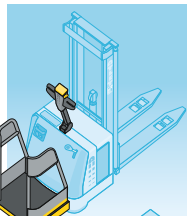
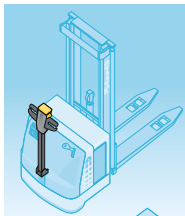
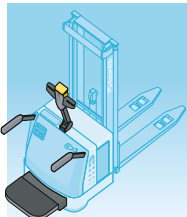
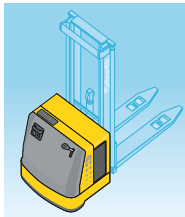
Minimum Servicing Time

Regular servicing ensures safe handling. For maximum efficiency Atlet uses mobile workshops for its back-up. Service engineers can deal with 96% of all possible faults and component replacements on their first visit. Regular servicing and proper daily inspections give an operational reliability of 100%. All of NOVA's components are easily accessible by just opening an inspection cover.





THE ADAPTABLE NOVA



The NOVA can be adapted for particular applications and drivers' needs. Transport distance, safety requirements, lift height and single or double pallet handling can all be accommodated using Atlet's modular system.

A wide-straddle version of the NOVA is an optional extra. The NOVA is also available with cold-store protection.



Standard components give advantages

Atlet has developed a consistent component standard for all its trucks, with 3,000 components covering the whole range.

The advantages of this include:

- Tried and tested components of very high quality resulting in fewer stoppages;
- Immediate availability of the most frequently required components—about 400—giving a service level of no less than 96%;
- New models and individual customer adaptations that are based on proven components.

Atlet offers a complete truck range for internal materials handling, all developed and manufactured at the company's factory at Mölnlycke.

ATLET

Atlet AB, S-435 82 Mölnlycke, Sweden
Tel: +46 31-98 40 00 Fax: +46 31-88 46 86
info@atlet.se www.atlet.com

ATLET Ltd., THAME Oxon OX9 3 SP
Telephone: 01844 215501. Telefax: 01844 216492
www.atlet.co.uk.