

GR-500EXS

Crane capacity

50,000 kg at 2.5 m

4-section long boom

10.2 m–33.0 m

2-staged jib

8.0 m/12.7 m

Maximum lifting height

33.5 m (Boom)

45.9 m (Jib)

Maximum load radius

30.5 m (Boom)

40.0 m (Jib)



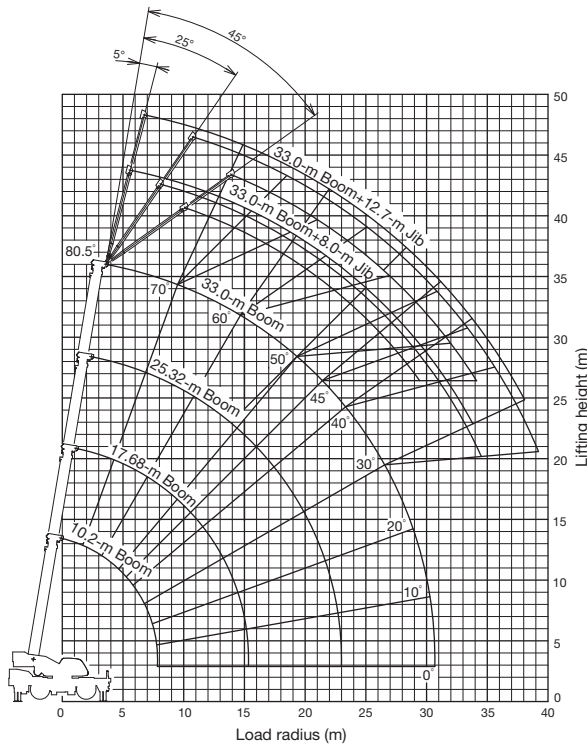
MODEL: GR-500EXS

SPECIFICATIONS

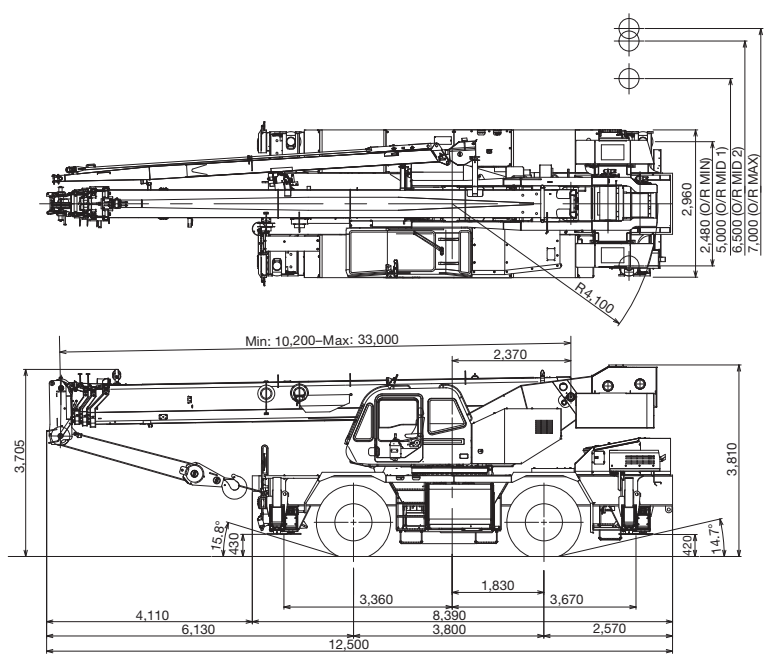
| | |
|---|---|
| MAXIMUM CAPACITY | 50,000 kg at 2.5 m |
| PERFORMANCE | |
| Max. traveling speed | 44 km/h |
| Gradeability (tan θ) | 92% (at stall), 30%* |
| * Machine should be operated within limit of engine crackcase design. (17": Mitsubishi 6M60-TL) | |
| WEIGHT | |
| Gross vehicle mass | 33,540 kg (incl. 50 ton hook block) |
| -front axle | 15,550 kg |
| -rear axle | 17,990 kg |
| MIN. TURNING RADIUS | 10.3 m (2-wheel steering), 6.0 m (4-wheel steering) (at center of extreme outer tire) |
| BOOM | 4-section full power synchronized telescoping boom. |
| Fully retracted length | 10.2 m |
| Fully extended length | 33.0 m |
| Extension speed | 22.8 m in 88 s |
| Angle | -1°-80.5° |
| Elevation speed | 20° to 60° in 30 s |
| JIB | 2-staged jib with triple offset (tilt type). Single sheave at jib head. |
| Offset | 5°, 25°, 45° |
| Length | 8.0 m and 12.7 m |
| MAIN WINCH | Variable speed type with grooved drum driven by hydraulic axial piston motor through speed reducer. |
| Single line pull | 44.1 kN (4,500 kgf) |
| Single line speed | 132 m/min. (at 4th layer) |
| Wire rope | 16 mm x 182 m (Diameter x length) |
| AUXILIARY WINCH | Variable speed type with grooved drum driven by hydraulic axial piston motor through speed reducer. |
| Single line pull | 44.1 kN (4,500 kgf) |
| Single line speed | 124 m/min. (at 3rd layer) |
| Wire rope | 16 mm x 100 m (Diameter x length) |
| SLEWING | |
| Slewing speed | 2.7 min ⁻¹ {rpm} |
| Tail slewing radius | 4,100 mm |
| HYDRAULIC SYSTEM | Pumps... 2 variable piston pumps for crane functions. Tandem gear pump for steering, slewing and equipment. Control valves... Multiple valves actuated by pilot pressure with integral pressure relief valves. Reservoir... 690 liters capacity. External sight level gauge. Oil Cooler... Air cooled fan type. |

| | |
|---|--|
| TADANO Automatic Moment Limiter (Model: AML-C) | Following information is displayed. • Control lever lockout function with audible and visual pre-warning • Number of parts of line • Boom position indicator • Outrigger state indicator • Slewing angle • Boom angle / boom length / jib offset angle / jib length / load radius / rated lifting capacities / actual loads read out • Potential lifting height • Ratio of actual load moment to rated load moment indication • Permissible load • Automatic speed reduction and slow stop function for slewing • Working condition register switch • Load radius / boom angle / tip height / slewing range preset function • External warning lamp • Tare function • Main hydraulic oil pressure • Fuel consumption monitor • Main winch / auxiliary winch select • Drum rotation indicator (audible and visible type) main and auxiliary winch • On-rubber indicator |
| OUTRIGGERS | 4 hydraulic, beam and jack outriggers. Vertical jack cylinders equipped with integral holding valve. Each outrigger beam and jack is controlled independently from cab. |
| Extension width | Max. ... 7,000 mm, Mid. ... 6,500 mm & 5,000 mm Min. ... 2,480 mm, Float size (Diameter)... 400 mm |
| CARRIER | Rear engine, left-hand drive, driving axle 2-way selected type by manual switch. 4 x 2 front drive, 4 x 4 front and rear drive |
| ENGINE | Model..... Mitsubishi 6M60-TL Type..... 4-cycle, turbo charged and after cooled. Piston displacement...7.54 liters Bore x stroke...118 mm x 115 mm Max. output... 200 kW at 2,600 min ⁻¹ {rpm} Max. torque... 785 N·m at 1,400 min ⁻¹ {rpm} |
| TRANSMISSION | Electronically controlled full automatic transmission. |
| STEERING | Hydraulic power steering. 3 steering modes available: 2-wheel front, 4-wheel coordinated, 4-wheel crab |
| SUSPENSION | Front..... Rigid mounted to frame. Rear..... Semi-elliptic leaf springs. |
| TIRES | 445/95R25, Single x 4 |
| FUEL TANK CAPACITY | 300 liters |

WORKING RANGE



DIMENSIONS



Dimensions are with boom angle at -1°.

Note: Some specifications are subject to change.



Lifting your dreams

TADANO LTD. (International Sales Division)
4-12, Kamezawa 2-chome, Sumida-ku Tokyo 130-0014, Japan
Phone: +81-3-3621-7750 Fax: +81-3-3621-7785
<http://www.tadano.com/> E-mail: info@tadano.com

