



## ET65

Tracked Conventional Tail Excavators



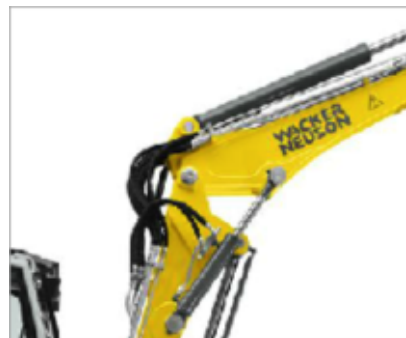
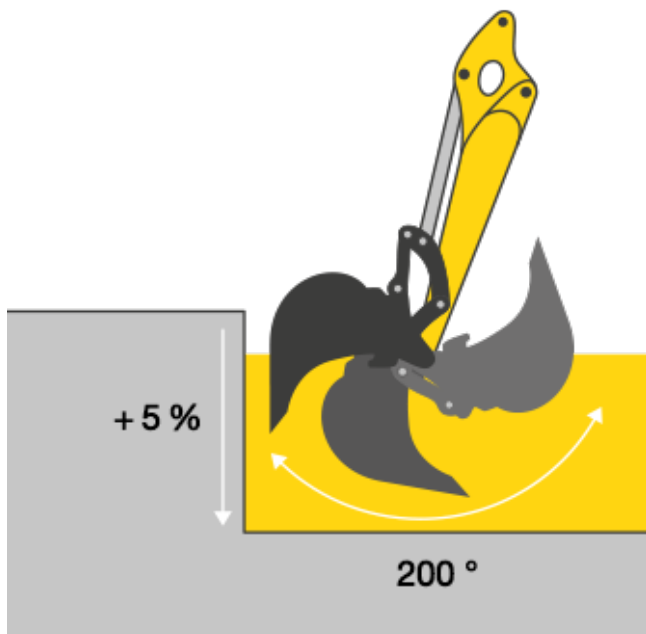
Performance and economic efficiency perfectly combined: ET65

The ET65 is an excavator like end users want it to be. A highly efficient machine that surprises with its compact design and maneuverability. Thanks to the high digging power and the powerful engine, the strong excavation performance is added bonus points that make the excavator into an all-rounder on the construction site. With the articulated boom, it also has a large reach, digging depth and dumping height.

- Precise and sensitive operation thanks to the load sensing hydraulic system with LUDV (load-independent flow control)\*!
- Low consumption due to the economical ECO mode
- Up to 5 auxiliary control circuits for the most varied attachments
- Extremely compact and maneuverable
- Maintenance and service made easy due to the tiltable cabin as well as the diagnostic tool

\* Load-independent flow distribution

Economical and powerful



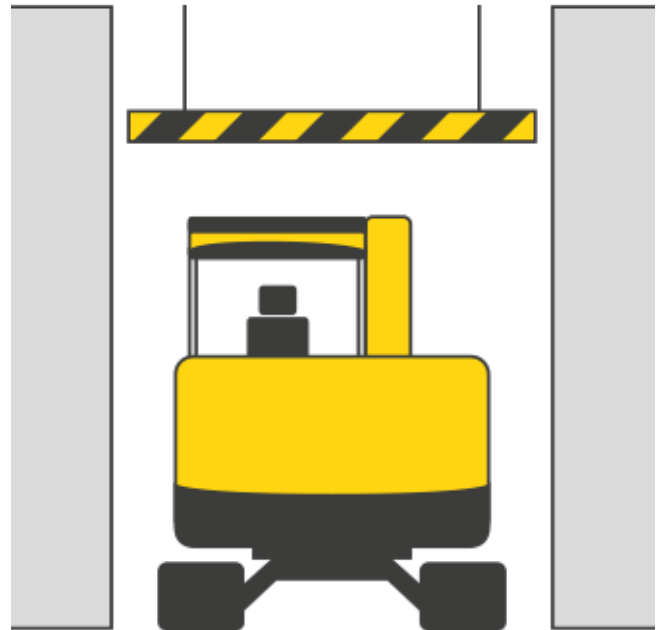
- Optimal force distribution when excavating and up to 20% more breakaway force: plunge in deeper and excavate more powerfully
- Less material loss in the bucket due to an expanded angle of rotation of 200 degrees
- Articulated boom for greater reach, digging depth and dumping height
- Up to 20% less fuel consumption



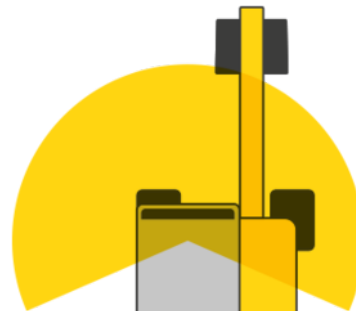
**WACKER  
NEUSON**  
*all it takes!*

#### Reduced dimensions

- Significantly lower height and width than comparable competition models
- Easily master tight construction sites and low passages
- Higher level of stability due to the low center of gravity
- Easy to transport



#### Cabin, sight and operating comfort



- Innovative solution for the optimal view – boom to the right next to the cabin
- Operator comfort: spacious cabin, air cushioned seat and automatic air-conditioning system
- Innovative front windshield system: two-part windshield can be slid up and moved - rain roof position
- LED headlights for optimal illumination
- Rear camera for more safety when in reverse operation



**WACKER  
NEUSON**  
*all it takes!*

Jog dial system

- Technology from the automotive sector
- For the direct control of central functions
- Intuitive to operate





Technical specifications

**Operating data**

Shipping weight min.	5,806 kg
Operating weight	6,078 - 6,954 kg
Biting force max.	30.8 kN
Breakout force max.	50.7 kN
Digging depth max.	4,193 mm
Dumping height	3912 - 4898 mm
Digging radius max.	6,877 mm
Superstructure slewing speed	9 1/min
L x W x H	6128 x 1950 x 2478 mm

**Engine / Motor**

Engine / Motor manufacturer	Perkins
Engine / Motor type	404D-22T
Engine / Motor	water-cooled 4-cylinder turbo diesel engine
Displacement	2,216 cm <sup>3</sup>
RPM / speed	2,000 rpm
Engine performance according to ISO	36.3 kW
Battery	88 Ah
Fuel tank capacity	85 l

**Hydraulic system**

Duty pump	Variable displacement pump and gear pump
Flow rate	144 l/min
Operating pressure for working and driving hydraulics	240 bar
Operating pressure swing gear	215 bar
Hydraulic oil tank	92 l

**Undercarriage**

Travel speed max.	5.2 km/h
Chain width	400 mm
Ground clearance	284 mm

**Dozer Blade**

Width	1,950 mm
Height	423 mm
Stroke dozer blade above subgrade	403 mm
Stroke dozer blade below subgrade	427 mm



**WACKER  
NEUSON**  
*all it takes!*

### Sound level

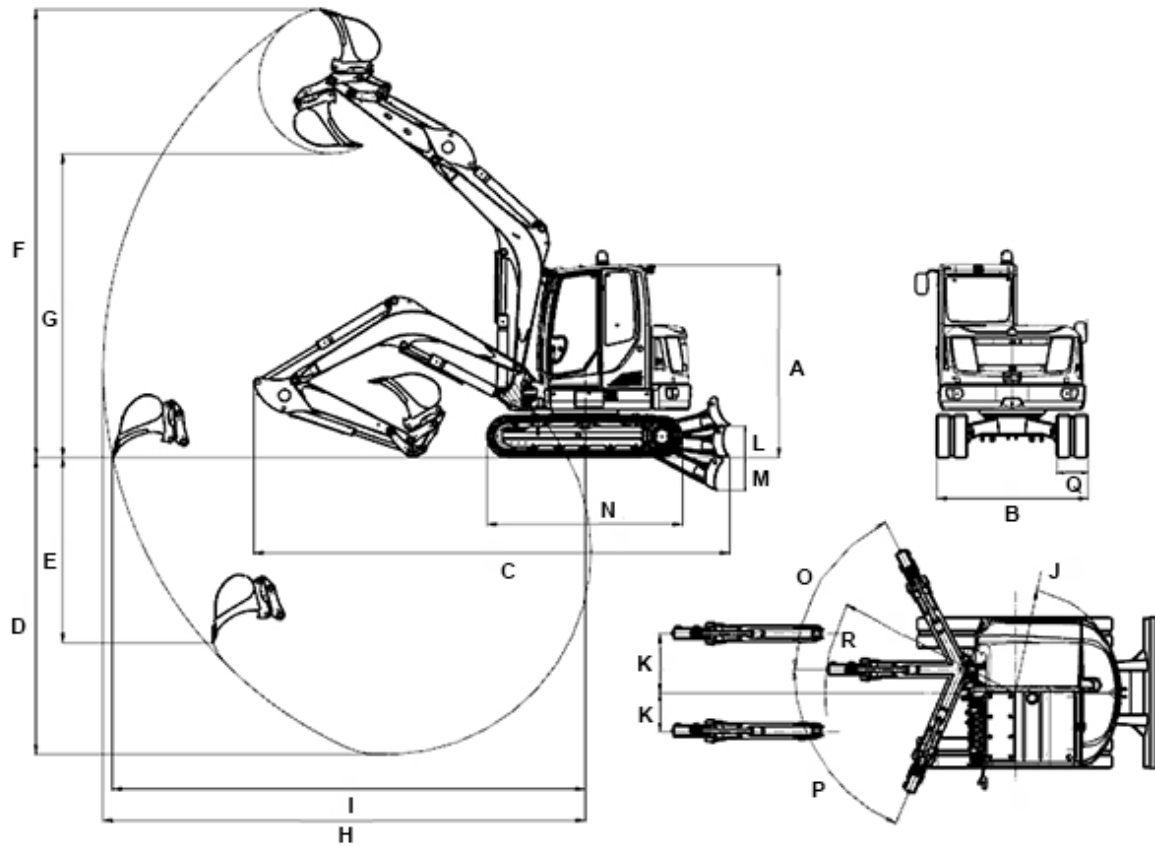
---

Sound level (L <sub>WA</sub> ) according to 2000/14/EC	97 dB(A)
Cabin - specified sound pressure level L <sub>pA</sub> according to ISO 6394	77 dB(A)

---



Dimensions



monobloc boom

articulated boom

		monobloc boom	articulated boom
A	Height	2,478 mm	2,478 mm
--	Width cabine	1,000 mm	1,000 mm
--	Width revolving superstructure	1,902 mm	1,902 mm
B	Width chasiss	1,950 mm	1,950 mm
B	Width dozer blade	1,950 mm	1,950 mm
C	Transport length short ds	6,137 mm	6,065 mm
C	Transport length long ds	6,128 mm	6,194 mm
D	Digging depth max. short ds	3,826 mm	3,893 mm
D	Digging depth max. long ds	4,126 mm	4,193 mm



E	Insertion depth short ds	2,383 mm	2,764 mm
E	Insertion depth long ds	2,656 mm	3,036 mm
F	Insertion height short ds	5,773 mm	6,537 mm
F	Insertion height long ds	5,955 mm	6,770 mm
G	Dump height max. short ds	3,912 mm	4,664 mm
G	Dump height max. long ds	4,094 mm	4,898 mm
H	Digging radius max. short ds	6,220 mm	6,590 mm
H	Digging radius max. long ds	6,504 mm	6,877 mm
I	Range short ds	6,097 mm	6,475 mm
I	Range long ds	6,387 mm	6,772 mm
J	Rear swivel radius w/o counter weight	1,363 mm	1,363 mm
J	Rear swivel radius counter weight	1,481 mm	1,481 mm
K	Arm displacement to centre of bucket, right side	766 mm	766 mm
K	Arm displacement to centre of bucket, left side	492 mm	492 mm
L	Lift height above ground	403 mm	403 mm
M	Scraping depth below ground	427 mm	427 mm
N	Length total traveling gear	2,516 mm	2,516 mm
--	Length traveling gear, Turas guide wheel	1,989 mm	1,989 mm
O	Turning angle boom system to the right	63 °	63 °
P	Turning angle boom system to the left	67 °	67 °
Q	Chain width	400 mm	400 mm
R	Boom slewing radius middel	2,453 mm	3,159 mm
--	Boom slewing radius right	2,372 mm	3,097 mm
--	Boom slewing radius left	1,902 mm	2,732 mm
--	Height dozer blade	423 mm	423 mm

ds = dipper stick



**WACKER  
NEUSON**  
*all it takes!*

Please note

that product availability can vary from country to country. It is possible that information / products may not be available in your country. More detailed information on engine power can be found in the operator's manual; the stated power may vary due to specific operating conditions.

Subject to alterations and errors excepted. Applicable also to illustrations.

Copyright © 2017 Wacker Neuson SE.