

 2450 kg
 27 - 37 t
 5000 J



DXB260H | Hydraulic Breaker

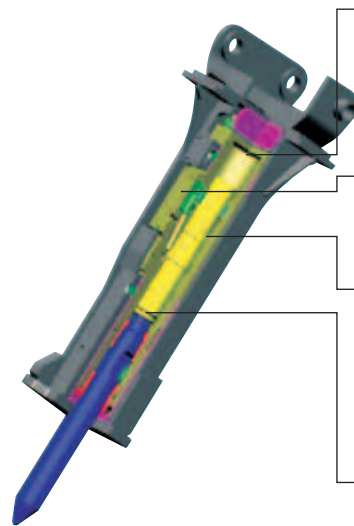


DXB260H – Make every blow count!

Doosan hydraulic breakers offer powerful performance and top productivity. Whether you are demolishing concrete, cutting asphalt or breaking rocks, Doosan hydraulic breakers are designed to give you top productivity to make each blow count. Doosan breakers provide high performance, simple and reliable design, low maintenance cost and carrier protection.

Breaker package includes :

- 2 hydraulic hoses (2800 mm long with ORFS couplers)
- 2 moil points
- Sound-reducing housing
- Nitrogen charge kit
- Tool box
- User and installation manual
- CE certification
- Doosan engineering approval
- One year warranty
- Automatic greaser (optional)



Energy recovery system

- The energy recovery system increases the striking power by using the energy generated when the piston rebounds.
- When the breaker is used on hard materials, the energy recovery system automatically increases the breaker frequency to optimize performance.

Unique valve system

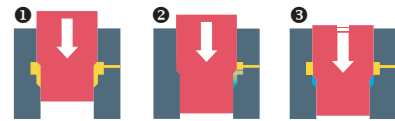
- The patented main valve controls the piston movement in order to optimize the striking power.

High quality piston and cylinder

- The piston and cylinder are made of similar steel with the highest quality materials used in the European aerospace industry. The number of wear parts such as the piston and cylinder has been minimized to reduce replacement and maintenance cost.
- Fine tolerances minimize internal leaks and increase breaker efficiency.

Blank fire protection

- A hydraulic cushion at the bottom of the cylinder bore slows and stops the downward movement of the piston.
- The dampening system protects against blank firing from the first blow.



Breaker Package and Options	Part Number
DXB260H breaker	86725017
Automatic greaser (optional)	86708278
Compatible Carriers	Fixing Cap Kit*
DX300LC/LCA	86727872
DX340LC	86727880

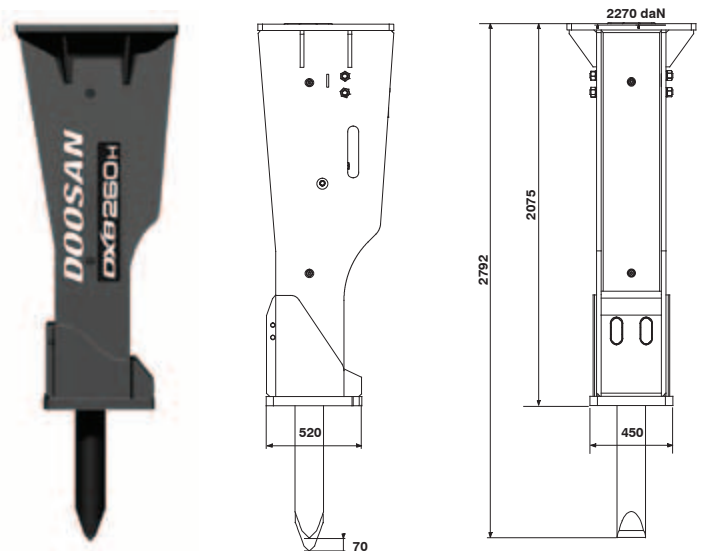
* Pin-on fixing cap kit includes bolts to mount the breaker.

Points and Chisels	
Pyramidal	86708468
Moil point**	86697133
Wedge chisel (cross)	86697125
Blunt	86708450

** 2 included in breaker kit

Specifications	Unit	
Carrier weight	t	27 - 37
Operating weight	kg	2450
Tool diameter	mm	156
Operating pressure	bar	180
Max. average back pressure	bar	17
Flow	Min. l/min	150
	Max. l/min	240
Frequency	blows/min	600
Energy / blow	J	5000
Noise level	dB(A)	130

All dimensions in mm.



Specifications and design are subject to change without notice. Pictures of Doosan products may show other than standard equipment.



Doosan Infracore
Construction Equipment