

Dynapac CC900S

Double drum vibratory rollers

Atlas Copco



Technical data



Masses

Max. operating mass	1,705 kg
Operating mass (incl. ROPS)	1,640 kg
Module mass (front/rear)	790/850 kg



Traction

Speed range (Dual/TC/AS)	0-9
Vertical oscillation	±13°
Theor. gradeability	50 %



Compaction

Static linear load (front/rear)	8.8/9.4 kg/cm
Water tank	110 l
Centrifugal force, front	11 kN
Centrifugal force, rear	17 kN
Nominal amplitude, front	0.3 mm
Nominal amplitude, rear	0.35 mm
Vibration frequency, front	56 Hz
Vibration frequency, rear	70 Hz



Engine

Manufacturer/Model	Kubota D1105-E4B T4f
Type	Water cooled diesel
Rated power, SAE J1995	18 kW (24 hp) @ 2,800 rpm
Fuel tank capacity	23 l



Hydraulic system

Driving	Axial piston pump with variable displacement and servo. 2 radial piston motors with constant displacement.
Vibration	Gear pump/motors with constant displacement.
Steering	Gear pump with constant displacement.
Service brake	Hydrostatic in forward and reverse lever.
Parking/ Emergency brake	Failsafe brake in both drums.

Find us locally at www.atlascopco.com

We reserve the right to change specifications without notice. Photos and illustrations do not always show standard versions of machines. The above information is a general description only, all informations are supplied without liability.

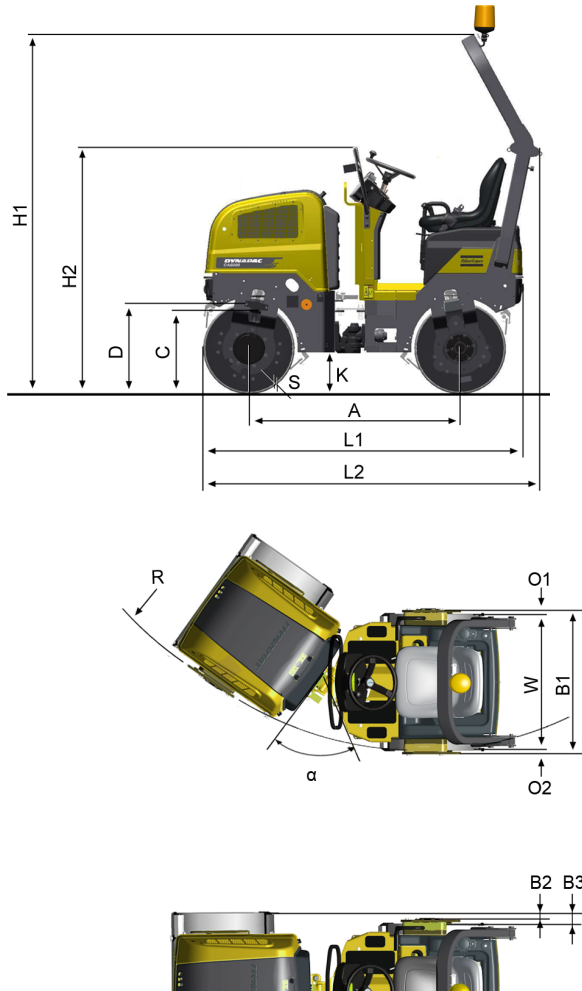
rce_cc900s_en-20140430.143613.pdf 2014-04-30 14:36

Dynapac CC900S

Double drum vibratory rollers

Atlas Copco

Technical data



Dimensions	
A. Wheelbase	1,350 mm
B1. Width	970 mm
B2. Width, protrude	25 mm
B3. Width, overlap	60 mm
C. Curb clearance	584 mm
D. Drum diameter	584 mm
H1. Height, with ROPS/cab	2,300 mm
H2. Height, w/o ROPS/cab	1,585 mm
K. Ground clearance	250 mm
L1. Length	2,040 mm
L2. Length (ROPS)	2,095 mm
O1. Overhang, right	35 mm
O2. Overhang, left	35 mm
R. Turning radius, outside	2,575 mm
S. Drum shell thickness	13 mm
W. Drum width	900 mm
α. Steering angle	±32°

Find us locally at www.atlascopco.com

We reserve the right to change specifications without notice. Photos and illustrations do not always show standard versions of machines. The above information is a general description only, all informations are supplied without liability.