

# Dynapac CC4200

## Double drum vibratory rollers




### Technical data



#### Masses

Max. operating mass	11,350 kg
Operating mass (incl. ROPS)	10,200 kg
Module mass (front/rear)	5,100/5,100 kg



#### Traction

Speed range (Dual/TC/AS)	0-12
Vertical oscillation	±7°
Theor. gradeability	45 %



#### Compaction

Centrifugal force (high/low amplitude)	139/92 kN
Nominal amplitude (high/low)	0.8/0.3 mm
Static linear load (front/rear)	29.5/29.5 kg/cm
Vibration frequency (high/low amplitude)	51/67 Hz
Water tank (l)	900



#### Engine

Manufacturer/Model	Cummins QSB 4.5 IIB/T4i
Type	Water cooled turbo Diesel with After Cooler
Rated power, SAE J1995	97 kW (130 hp) @ 2,200 rpm
Fuel tank capacity	240 l



#### Engine

Manufacturer/Model	Cummins QSB4.5 IIIA/T3
Type	Water cooled turbo Diesel with After Cooler
Rated power, SAE J1995	93 kW (125 hp) @ 2,200 rpm



#### Hydraulic system

Driving	Axial piston pump with variable displacement. Axial piston motors (2) with variable displacement.
Vibration	Axial piston pumps (2) with variable displacement. Axial piston motors (2) with constant displacement.
Steering	Gear pump with constant displacement.
Service brake	Hydrostatic in forward and reverse lever.
Parking/ Emergency brake	Failsafe multidisc brake in both drums.

Find us locally at [www.atlascopco.com](http://www.atlascopco.com)

We reserve the right to change specifications without notice. Photos and illustrations do not always show standard versions of machines. The above information is a general description only, all informations are supplied without liability.

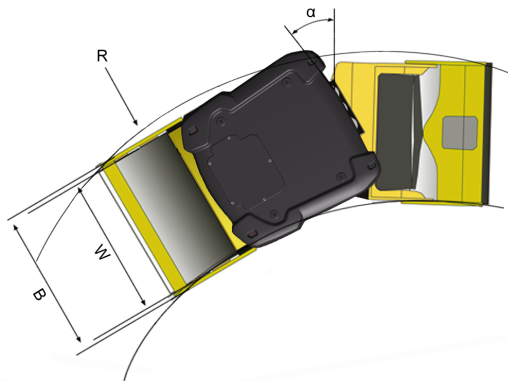
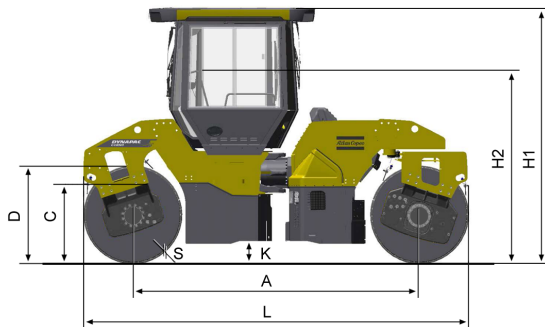
rce\_cc4200\_en-20131017.141011.pdf 2013-10-17 14:10

# Dynapac CC4200

## Double drum vibratory rollers



### Technical data



Dimensions	
A. Wheelbase	3,690 mm
B. Width	1,878 mm
C. Curb clearance	865 mm
D. Drum diameter	1,300 mm
H1. Height, with ROPS/cab	2,990 mm
H2. Height, w/o ROPS/cab	2,275 mm
K. Ground clearance	310 mm
L. Length	4,990 mm
R. Turning radius, outside	5,960 mm
S. Drum shell thickness	18 mm
W. Drum width	1,730 mm
α. Steering angle	±32°

Find us locally at [www.atlascopco.com](http://www.atlascopco.com)

We reserve the right to change specifications without notice. Photos and illustrations do not always show standard versions of machines. The above information is a general description only, all informations are supplied without liability.