

Dynapac CC4200C

Combi rollers

Atlas Copco



Technical data



Masses

Max. operating mass	10,400 kg
Operating mass (incl. ROPS)	9,500 kg
Module mass (front/rear)	5,100 kg/4,400 kg



Traction

Speed range (Dual/TC/AS)	0 - 12
Vertical oscillation	±8°
Theor. gradeability	39 %



Compaction

Wheel load	1100 (kg/wheel)
Centrifugal force (high/low amplitude)	139/92 kN
Nominal amplitude (high/low)	0.8/0.3 mm
Static linear load	29.5 kg/cm
Vibration frequency (high/low amplitude)	51/67 Hz
Water tank	900 l
Emulsion tank	78 l



Engine

Manufacturer/Model	Cummins QSB 4.5, IIIB/T4i
Type	Water cooled turbo Diesel
Rated power, SAE J1995	97 kW (130 hp) @ 2,200 rpm
Fuel tank capacity	240 l



Engine

Manufacturer/Model	Cummins QSB 4.5, IIIA/T3
Type	Water cooled turbo Diesel
Rated power, SAE J1995	93 kW (125 hp) @ 2,200 rpm



Hydraulic system

Driving	Axial piston pump with variable displacement. Axial piston motors (3) with variable displacement.
Vibration	Axial piston pump with variable displacement. Axial piston motor with constant displacement.
Steering	Gear pump with constant displacement.
Service brake	Hydrostatic in forward and reverse lever.
Parking/ Emergency brake	Failsafe multidisc brake in drum and wheel motors.

Find us locally at www.atlascopco.com

We reserve the right to change specifications without notice. Photos and illustrations do not always show standard versions of machines. The above information is a general description only, all informations are supplied without liability.

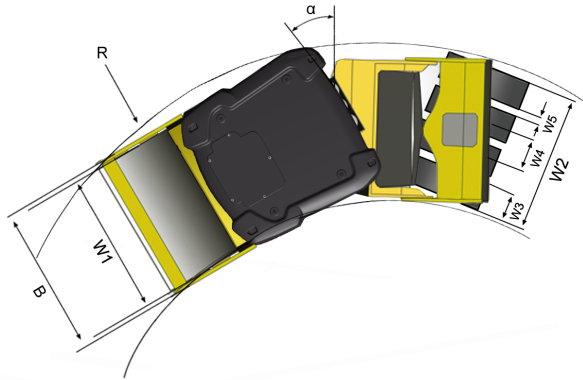
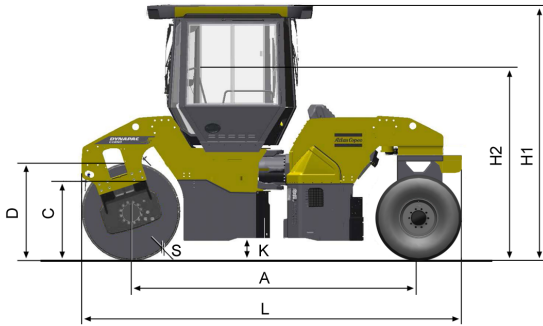
rce_cc4200c_en-20151105.160334.pdf 2015-11-05 16:03

Dynapac CC4200C

Combi rollers

Atlas Copco

Technical data



Dimensions	
A. Wheelbase	3,690 mm
B. Width	1,878 mm
C. Curb clearance	865 mm
D. Drum diameter	1,300 mm
H1. Height, with ROPS/cab	2,990 mm
H2. Height, w/o ROPS/cab	2,275 mm
K. Ground clearance	310 mm
L. Length	4,990 mm
R. Turning radius, outside	4,955 mm
S. Drum shell thickness	18 mm
W1. Drum width	1,730 mm
W2. Width, wheel module	1,652 mm
W3. Width, tyre	285 mm
W4. Wheel track	467 mm
W5. Wheel spacing	165 mm
α. Steering angle	±32°

Find us locally at www.atlascopco.com

We reserve the right to change specifications without notice. Photos and illustrations do not always show standard versions of machines. The above information is a general description only, all informations are supplied without liability.

rce_cc4200c_en-20151105.160334.pdf 2015-11-05 16:03