

CROWN

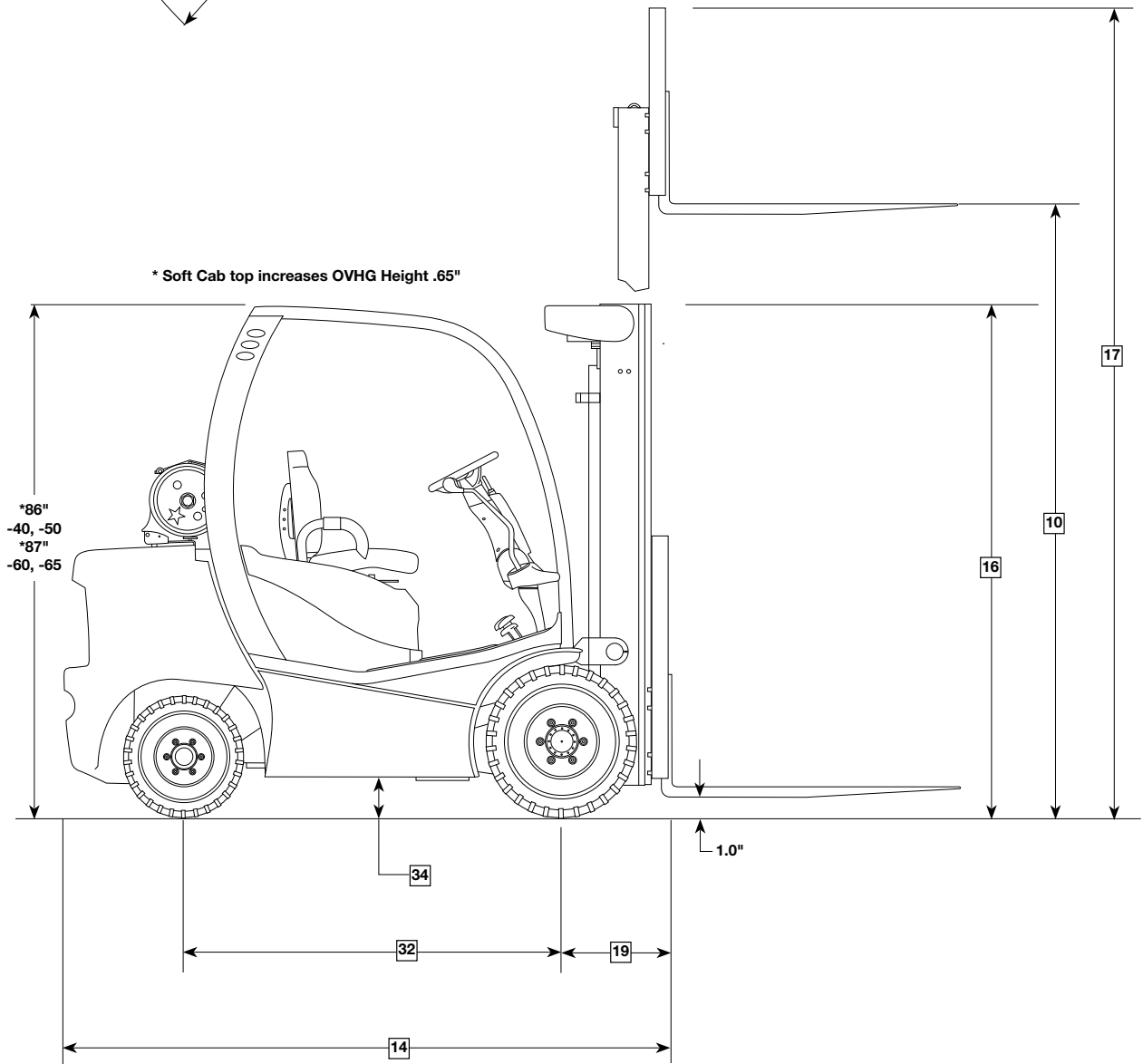
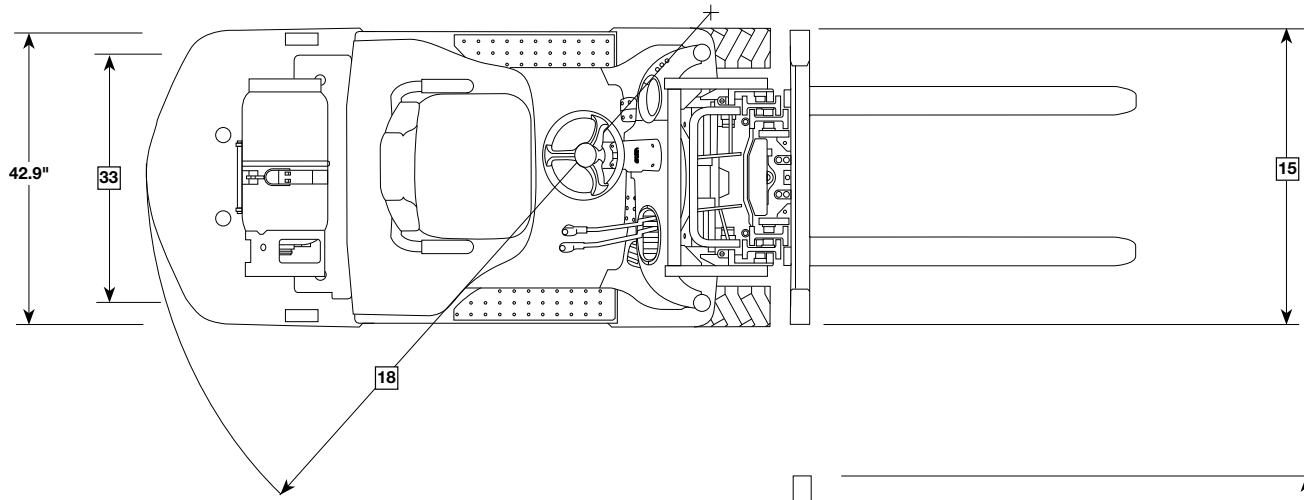
# C-5 SERIES

**Profile Sheet**  
IC Pneumatic Tire



# C-5 Series

# IC Pneumatic Tire



		Crown Equipment Corporation						
		C5 1050-40	C5 1050-50	C5 1050-60	C5 1050-65			
General Information	1	Manufacturer						
	2	Model						
	3	Load Capacity	lb	4000	5000	6000	6500	
	4	Load Center	Fork Face to Load CG	in	24	24	24	24
	5	Power (Fuel) Type	Gas, LPG, Diesel					
	6	Operator Type	LPG					
	7	Tire Type	Sit-down Rider Counterbalance					
	8	Wheels (x = driven)	Number Front/Rear	2x / 2	2x / 2	2x / 2	2x / 2	
	9	Steering Type	Hydrostatic					
	10	Mast (see table)	Lifting Height (MFH)	in	188	188	180	171
	Free Lift Height		in	32.2	32.2	32.2	32.2	
Dimensions	11	Fork Carriage	ITA Class II					
	12	Forks	Standard L x W x T	in	42 x 4 x 1.8	42 x 4 x 1.8	42 x 5 x 1.8	42 x 5 x 1.8
			Optional Lengths	in	45, 48, 54, 60	45, 48, 54, 60	45, 48, 54, 60	45, 48, 54, 60
	13	Tilt	F / B	degree	5 / 5	5 / 5	5 / 5	5 / 5
			Interlock Fork Height	in	95	95	95	95
	14	Head Length	Length to Fork Face	in	101.8	102.2	106.3	107.1
	15	Width Overall	Standard Tread	in	47	47	50.9	50.9
			Wide Track	in	53.1	53.1	56.4	56.4
			Dual Drive	in	62.4	62.4	69.5	69.5
	16	Height with LBR	Mast Collapsed	in	86	86	86	86
17	Height with LBR (see table)	Mast Extended	in	236	236	228	219	
18	Turning Radius	Outside	in	87.5	87.9	92.7	93.8	
19	Load Distance	Center of Wheel to Fork Face	in	17.9	17.9	18.2	18.2	
20	Aisle Width (Add Load + Clear)	Right Angle Stack	in	105.4	105.8	110.9	112.0	
Chassis	28	Axle Load Front	Empty / Loaded	lb	4729 / 9843	4600 / 12,980	4920 / 14,775	4833 / 14,264
	29	Axle Load Rear	Empty / Loaded	lb	3887 / 2773	4840 / 1460	5550 / 1695	6056 / 3125
	30	Tires	Size Front / Standard, Dual Tire	in	7.00-12	7.00-12	28x9-15	28x9-15
			Size Front Wide	27 x 10 - 12		355 / 45 - 15		
	31		Size Rear	in	6.00-9	6.00-9	6.50-10	6.50-10
	32	Wheelbase		in	64	64	66.9	66.9
	33	Tread / Track Width	Front Standard / Rear	in	40 / 37.5	40 / 37.5	42.2 / 37.7	42.2 / 37.7
			Front Optional wide tire / Rear	in	47 / 37.5	47 / 37.5	49.2 / 37.7	49.2 / 37.7
Front Optional dual drive tire / Rear			in	55.4 / 37.5	55.4 / 37.5	60.7 / 37.7	60.7 / 37.7	
34	Ground Clearance	Center of Wheelbase	in	6.38	6.28	7.06	7.04	
		Under Mast	in	5.4	5.3	6.0	6.0	
35	Brakes	Service		Foot / Hydraulic	Foot / Hydraulic	Foot / Hydraulic	Foot / Hydraulic	
		Parking		Hand / Hydraulic	Hand / Hydraulic	Hand / Hydraulic	Hand / Hydraulic	
Powertrain	36	Battery Volts	V (amps)	12	12	12	12	
	37	Engine	Type	Industrial				
			No. of Cylinders / Displacement / Liters	4 Cyl / 2.4L				
	41	Transmission	Type	Powershift				
			Number of Speeds Forward / Reverse	1 / 1				
43	Auxiliary Function Relief Pressure	psi	2600	2600	3100	3100		

**Mast Charts**

4000 lb capacity			TL - Truckers Mast				
9	Lift Height	in	68	76	80	82	112
11	Free Lift Height*	in	5.8	5.8	5.8	5.8	5.8
14	Interlocked Fork Height	in	na	na	na	na	na
17	Mast Collapsed Height	in	57	61	63	64	79
18	Mast Extended Height*	in	116	124	128	130	160

<sup>1</sup> Includes 48" load backrest

4000 lb capacity			TL				TT				QUAD									
9	Lift Height	in	126	138	150	155	159	170	183	188	206	216	231	246	258	276	240	258	276	294
11	Free Lift Height <sup>1</sup>	in	6	6	6	6	6	6	6	32.2	38.2	44.2	50.2	56.2	62.2	68.2	31.8	39.8	43.8	49.8
14	Interlocked Fork Height	in	78	78	78	78	78	78	78	95	95	95	95	95	96	102	76	82	88	94
17	Mast Collapsed Height	in	86	92	98	104	110	116	122	86	92	98	104	110	116	122	86	92	98	104
18	Mast Extended Height <sup>1</sup>	in	174	186	198	203	207	218	231	236	254	264	279	294	306	324	288	306	324	342

<sup>1</sup> Includes 48" load backrest

5000 lb capacity			TL - Truckers Mast				
9	Lift Height	in	68	76	80	82	112
11	Free Lift Height*	in	5.8	5.8	5.8	5.8	5.8
14	Interlocked Fork Height	in	na	na	na	na	na
17	Mast Collapsed Height	in	57	61	63	64	79
18	Mast Extended Height*	in	116	124	128	130	160

<sup>1</sup> Includes 48" load backrest

5000 lb capacity			TL				TT				QUAD									
9	Lift Height	in	126	138	150	155	159	170	183	188	206	216	231	246	258	276	240	258	276	294
11	Free Lift Height <sup>1</sup>	in	6	6	6	6	6	6	6	32.2	38.2	44.2	50.2	56.2	62.2	68.2	31.8	39.8	43.8	49.8
14	Interlocked Fork Height	in	78	78	78	78	78	78	78	95	95	95	95	95	96	102	76	82	88	94
17	Mast Collapsed Height	in	86	92	98	104	110	116	122	86	92	98	104	110	116	122	86	92	98	104
18	Mast Extended Height <sup>1</sup>	in	174	186	198	203	207	218	231	236	254	264	279	294	306	324	288	306	324	342

<sup>1</sup> Includes 48" load backrest

6000 lb capacity			TL - Truckers Mast				TL				TT				QUAD <sup>2</sup>								
9	Lift Height	in	60	68	72	100	118	130	142	150	159	170	183	180	198	208	223	238	250	240	258	276	294
11	Free Lift Height <sup>1</sup>	in	5.8	5.8	5.8	5.8	6	6	6	6	6	6	6	32.2	38.2	44.2	50.2	56.2	62.2	31.8	39.8	43.8	49.8
14	Interlocked Fork Height	in	na	na	na	na	78	78	78	78	78	78	78	95	95	95	95	95	96	76	82	88	94
17	Mast Collapsed Height	in	57	61	63	77	86	92	98	104	110	116	122	86	92	98	104	110	116	86	92	98	104
18	Mast Extended Height <sup>1</sup>	in	108	116	120	148	166	178	190	198	207	218	231	228	246	256	271	286	298	288	306	324	342

<sup>1</sup> Includes 48" load backrest

<sup>2</sup> Decreased capacity, 4500 lb mast on a 6000 lb chassis

6500 lb capacity			TL - Truckers Mast				TL				TT								
9	Lift Height	in	57	65	69	97	115	126	139	150	159	170	183	171	189	199	214	229	241
11	Free Lift Height <sup>1</sup>	in	5.8	5.8	5.8	5.8	6	6	6	6	6	6	6	32.2	38.2	44.2	50.2	56.2	62.2
14	Interlocked Fork Height	in	na	na	na	na	78	78	78	78	78	78	78	95	95	95	95	95	96
17	Mast Collapsed Height	in	57	61	63	77	86	92	98	104	110	116	122	86	92	98	104	110	116
18	Mast Extended Height <sup>1</sup>	in	105	113	117	148	163	174	187	198	207	218	231	219	237	247	262	277	289

<sup>1</sup> Includes 48" load backrest



**Crown Equipment Corporation**

New Bremen, Ohio 45869 USA

**Tel** 419-629-2311

**Fax** 419-629-3796

[crown.com](http://crown.com)

**You can count on Crown to build lift trucks designed for safe operation, but that's only part of the safety equation. Crown encourages safe operating practices through ongoing operator training, safety-focused supervision, maintenance and a safe working environment. Go to [crown.com](http://crown.com) and view our safety section to learn more.**

Because Crown is continually improving its products, specifications are subject to change without notice.

Crown, the Crown logo, the color beige and the Momentum symbol are trademarks of Crown Equipment Corporation.

Copyright 2012-2017 Crown Equipment Corporation  
SF18824 Rev. 12-17  
Printed in U.S.A.