

TXH SERIES  
HYDRAULIC HAMMERS



# TOUGH. SIMPLE. RELIABLE.

Terex® TXH hydraulic breakers are designed to keep working as long as you do.

## Maximise Up-Time

The Terex® hydraulic breaker range offers high quality, long life and excellent serviceability, at a competitive price. The range includes hammers with all the power needed for the toughest applications within one of the most compact designs available.

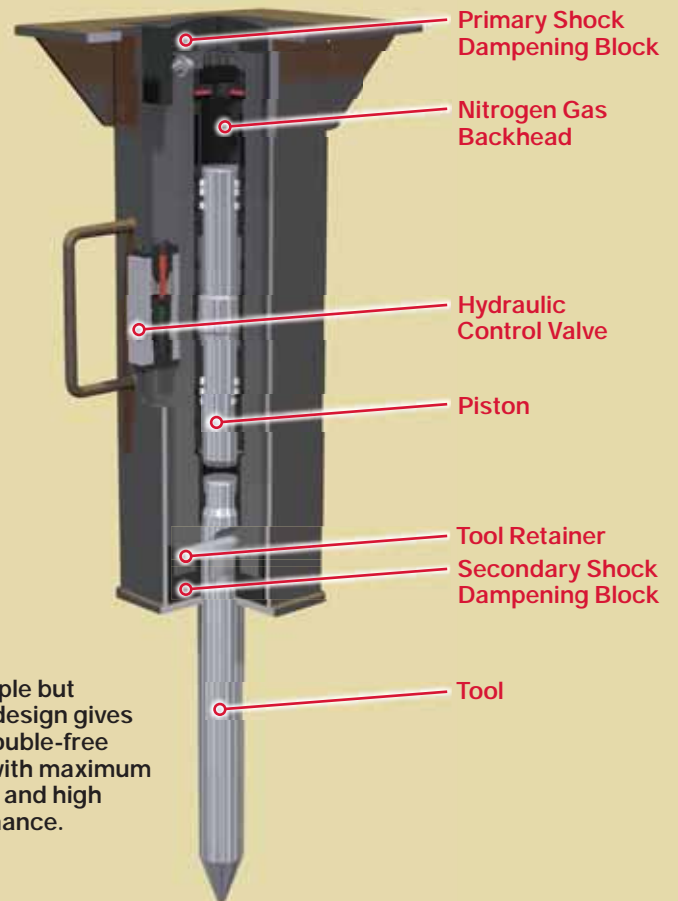
Terex® hydraulic breakers are built for complete compatibility with the Terex® excavator and backhoe loader range. Every hammer in the range is vibra-silenced to offer compliance with the latest standards of operator safety and comfort.

Why mix when you can match? Buy Terex® breakers for your Terex® machine.



## Features

- Low maintenance, with a boltless mounting system.
- Only two moving parts – the piston and valve.
- High blow energy is constant throughout the engine rev range.
- Vibra-silenced via polymer suspension pads reduces total operator and carrier machine vibration exposure.
- The pure nitrogen backhead means that we don't use diaphragms, reducing down time, and a speedy re-gassing will get you back to work in a matter of minutes.
- A high quality, modern hammer at a competitive price so you get a rapid return on investment.
- Guaranteed Sound Power Levels (EU Noise Directive 2000/14/EC)
- Easily maintained through single point greasing system for tool and bottom housing.
- The one piece box does not use cross-bolts, so you can cut a narrower trench without fear of catching on the sides.



The simple but quality design gives long, trouble-free usage with maximum up-time and high performance.

# THE RANGE TO MEET ALL OF YOUR BREAKING NEEDS.

From mini excavators to backhoe loaders, crawler excavators to wheeled excavators, Terex have the right TXH hydraulic hammer to meet your needs, with a wide range of models matched to your carrier's flow, pressure and lift capacity.



TXH250S

TXH350S

TXH400S

TXH700S

TXH800S

Specifications	TXH250S	TXH350S	TXH400S	TXH700S	TXH800S
Maximum Energy Per Blow (J)	250	350	400	700	800
Required Flow (L/Min)	14-30	25-40	30-45	45-65	55-90
Operating Pressure (Bar)	120	90	110	110	110
Blows Per Minute	500-1300	450-1150	650-1150	450-1250	850-1350
Tool Diameter (mm)	40	45	53	65	70
Overall Length (mm)	1180	1180	1300	1450	1500
Working Weight (kg)	75	100	135	225	270
Guaranteed Sound Power Levels ( EU Noise Directive 2000/14/EC) (GSPL)	112	116	117	118	118
Carrier Weight (tonnes)	0.7-1.5	1.5-3.0	2.0-4.0	3.0-5.5	4.5-8.0



TXH1100S	TXH1400S	TXH1800S	TXH2200S	TXH4400S	TXH10000S
----------	----------	----------	----------	----------	-----------

TXH1100S	TXH1400S	TXH1800S	TXH2200S	TXH4400S	TXH10000S
1100	1400	1800	2200	4400	10,000
65-100	80-110	90-130	90-150	150-200	180-250
120	120	130	130	130	160
550-1100	550-1100	500-900	400-600	400-600	350-500
75	95	105	113	133	160
1600	1650	1800	1900	2400	2600
330	490	750	990	1650	3300
121	123	123	125	127	131
5.0-8.5	7.5-11.0	11-15	13-21	20-29	29-45

# QUALITY DESIGNED IN.

High performance products that  
are easy to use and maintain.

Terex® TXH hydraulic hammers are designed to be high performance products whilst also being rugged, simple to use and easy to maintain.

They are designed to provide low cost of ownership to give a rapid return on investment, whether you are a large quarry, a demolition contractor or a rental company.

## The right tools for the job

Terex have a wide range of tools to fit TXH hydraulic hammers, including point, blunt, in-line chisel, crosscut chisel, four sided point, tamper foot and asphalt cutter.

For further details and to discuss your individual needs contact your local Terex dealer. To find your nearest dealer call 02476 339400 or visit [www.terex.com](http://www.terex.com).





## Support and parts

We aim to maximise your up-time so that Terex products help give you an excellent return on your investment. Core to this is our outstanding aftermarket support, including a dedicated service network and speedy and effective availability of parts to keep your machine working.





Effective Date: 18 February 2008. Product specifications and prices are subject to change without notice or obligation. The photographs and/or drawings in this document are for illustrative purposes only. Refer to the appropriate Operator's Manual for instructions on the proper use of this equipment. Failure to follow the appropriate Operator's Manual when using our equipment or to otherwise act irresponsibly may result in serious injury or death. The only warranty applicable to our equipment is the standard written warranty applicable to the particular product and sale and Terex makes no other warranty, express or implied. Products and services listed may be trademarks, service marks or trade-names of Terex Corporation and/or its subsidiaries in the USA and other countries. All rights are reserved. Terex® is a registered trademark of Terex Corporation in the USA and many other countries. © 2011 Terex Corporation. TEREX627UK

Terex Construction  
Central Boulevard, ProLogis Park, Coventry, England CV6 4BX  
Tel +44 (0) 2476 339400 Fax +44 (0) 2476 339500  
Email enquiries@terexce.com www.terex.com

