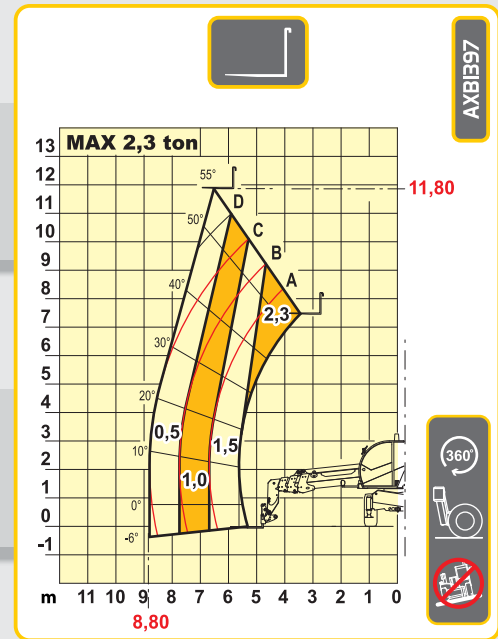
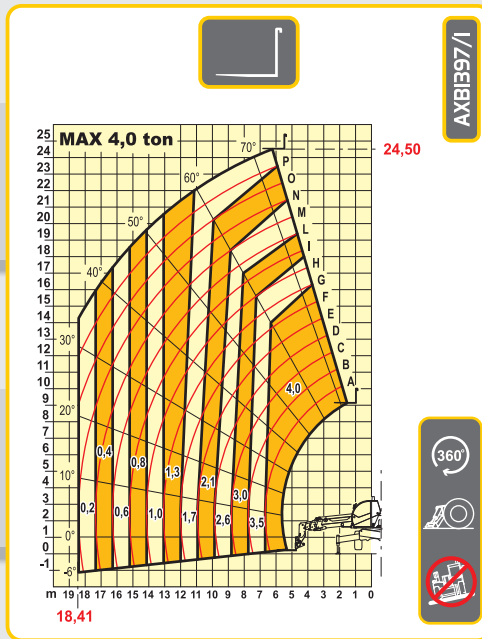
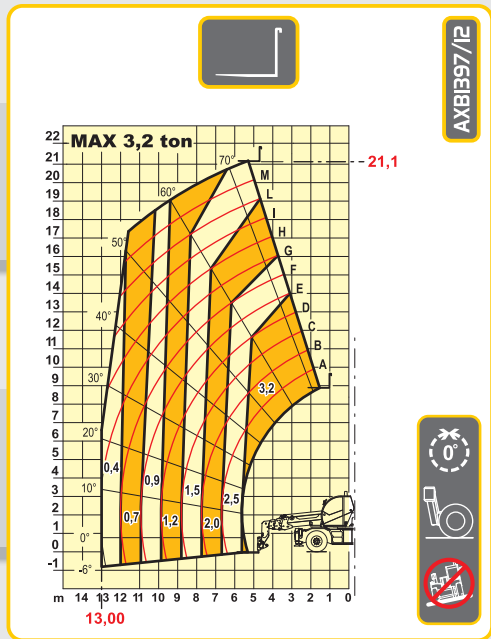


macchine edili ed agricole
d DIECI

Pegasus 40.25



Pegasus 40.25



PERFORMANCES

Maximum capacity:..... 4.000 kg
 Capacity at maximum height on stabilizers:..... 1.700 kg
 Capacity at maximum height on tyres:..... 1.500 kg
 Capacity at maximum boom extension on stabilizers:..... 200 kg
 Capacity at maximum boom extension on tyres:..... 400 kg
 Maximum lifting height on stabilizers:..... 24,50 m
 Maximum lifting height on tyres:..... 21,10 m
 Maximum horizontal boom extension:..... 18,41 m
 Boom extension at maximum height:..... 6,23 m
 Fork tilting angle:..... 120°
 Tearing force:..... 5.700 daN
 Towing force:..... 9.400 daN
 Maximum allowable slope:..... 40 %
 Total empty weight:..... 17.500 kg
 Max speed:..... 40 km/h



TRANSMISSION

Transmission:..... Hydrostatic with variable delivery pump
 Hydraulic engine:..... with automatic adjustment
 Reversing gear:..... Electro - hydraulic
 Inching pedal for controlled forward movement
 Servocontrolled 2 speed gearbox



HYDRAULIC SYSTEM

Double gear pump with "Energy Saving" system
 Gear pump with capacity at max speed:..... 135 lt/1'
 Max working pressure:..... 230 bar
 Control valve with joystick:..... 5 in 1 proportional
 Simultaneous movements:..... 5
 Proportional control distributor "Load Sensing" with "Flow Sharing"



DIFFERENTIAL AXLES

Steering axles:..... 2, with planetary reduction gears
 Type of steering:..... 4 wheels / transversal / 2 wheels
 Front axle:..... levelling
 Rear axle:..... oscillating
 Service brake:..... oil bath on the 4 wheels with double hydraulic system and servo brake
 Negative parking brake.



ENGINE

PERKINS 1104D-ETA - 106 kW
 Power:..... 106 kW (144 hp) at 2200 rpm
 Type:..... four-stroke engine, diesel, Common-Rail
 Cylinders number and layout:..... 4, vertical in line
 Displacement:..... 4399 cm³ -Turbo compressor aftercooler
 Cooling system:..... liquid
 Specific fuel consumption per hour (2.200 rpm):..... 230g/kWh
 Electronic accelerator.
 Manual accelerator.
 Air pre-heater for cold climates.



REFUELLING (litre)

Hydraulic tank:..... 270
 Fuel tank:..... 180



STANDARD DEVICES

Anti-tipping device with block for hazardous movements.
 Continuous turret rotation over 360°.
 Oscillation block on rear axle.
 Hydraulic socket for possible accessories on boom head.
 ROPS-FOPS approved closed soundproof cab with heating and opening roof.
 Stabilizers with joystick control
 Grammer deluxe seat.
 High efficiency cyclone air filter.
 Self-blocking rear axle (Limited Slip)



OPTIONAL AND ACCESSORIES

A/C; Webasto heater; digital speedometer; water heater;
 pneumatic seat suspension; light on boom head; quick attachment for accessories; radio; anti-theft alarm; glass protection; Transverse levelling device on wheels and others...
 (For further customised accessories, please consult your local dealer)



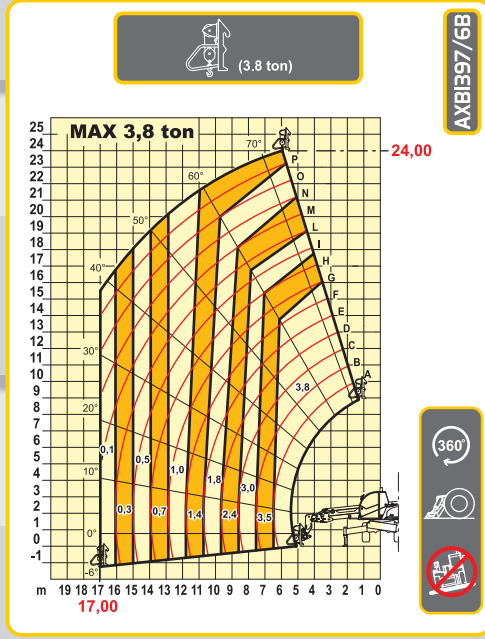
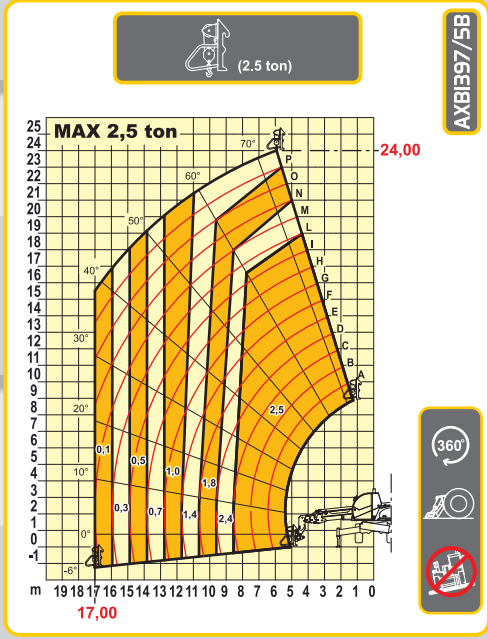
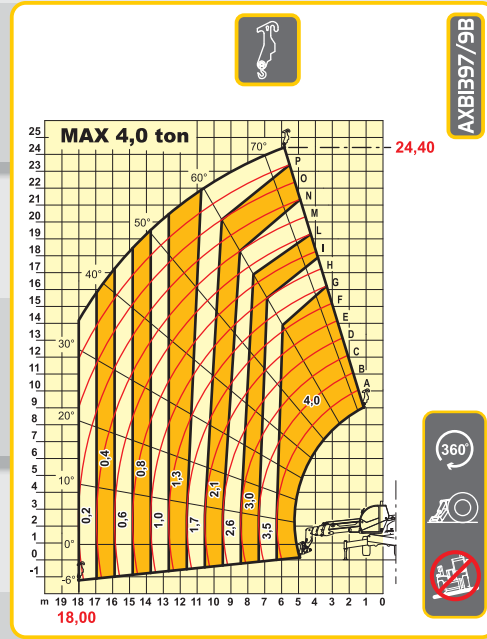
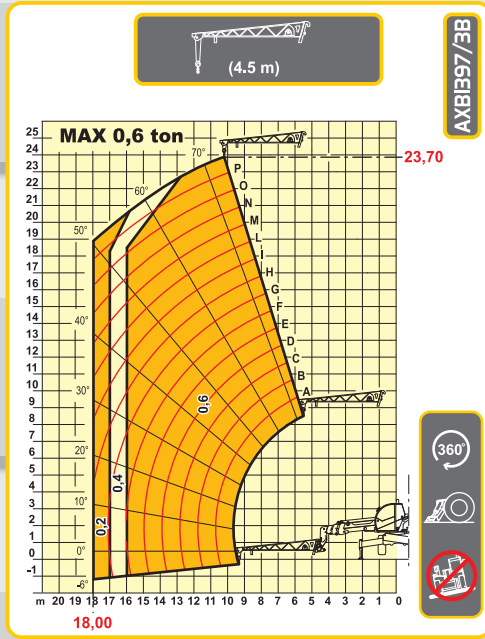
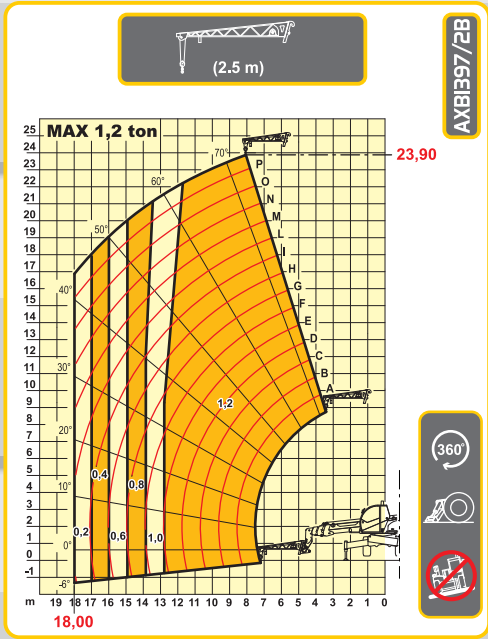
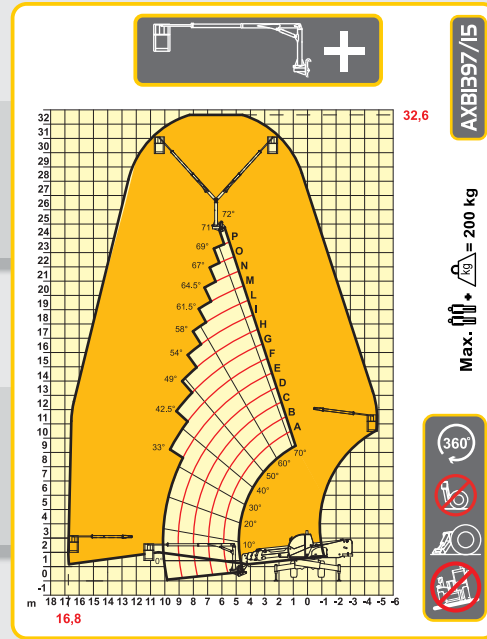
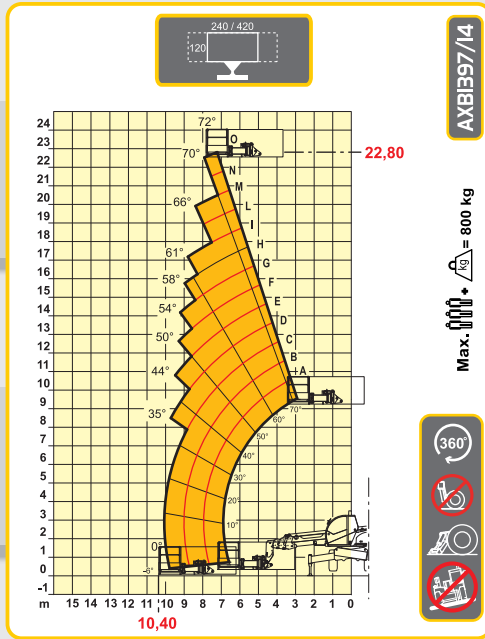
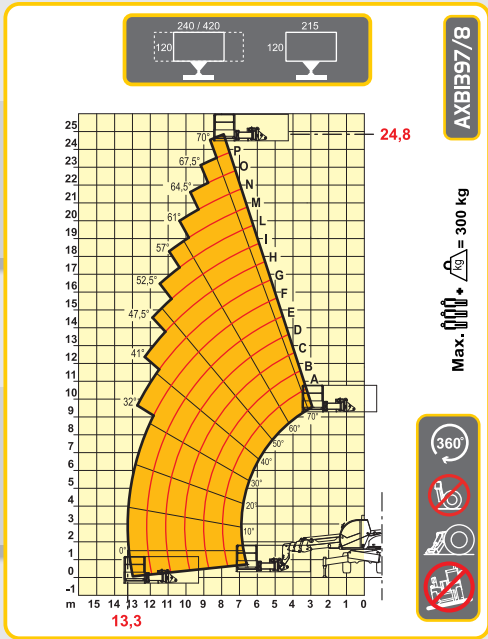
TYRES

Tyres:..... 18 - R22,5" (Industrial)
 Alternative:..... 18 - R22,5" (Agricultural)

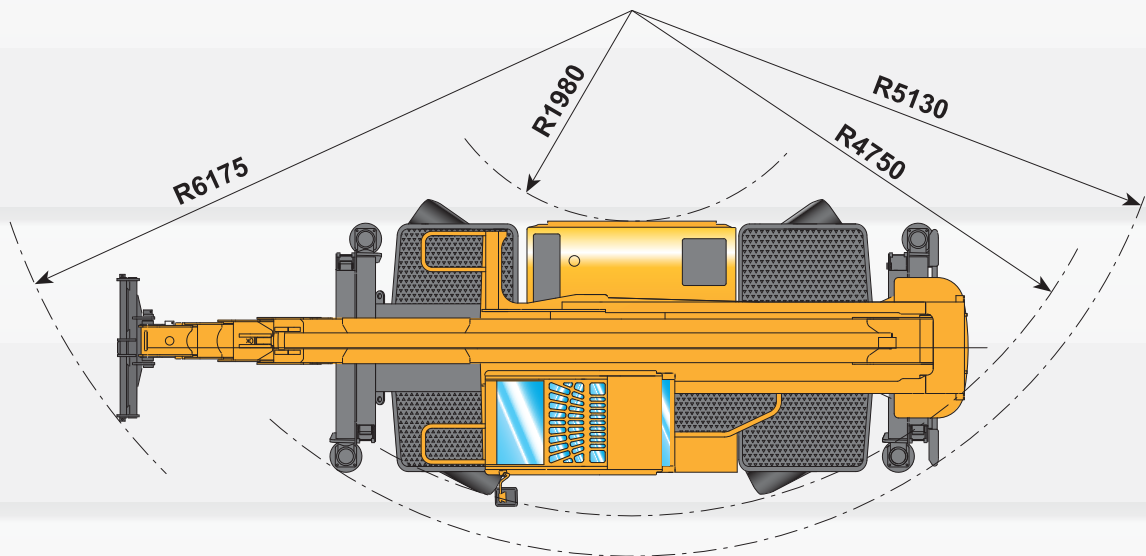
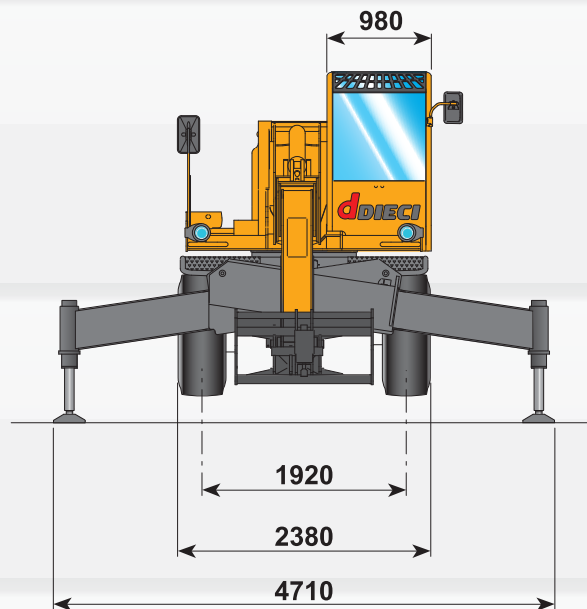
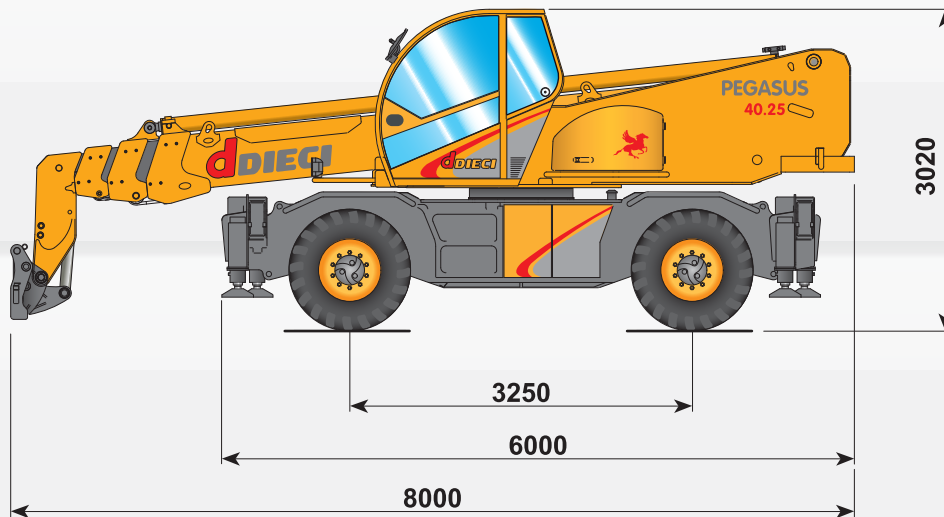
SYMBOLS KEY

Negative jib	Extendable three-sided basket	Jib (Measurements)	Centering handler jib	360° Continuous rotation	0° Front position	Stabilizers raised	Forks
Positive jib	Three-sided fixed basket	Winch (Capacity)	Fork-carrying plate hook	400° Non-continuous rotation	Do not work on tyres	Stabilizers lowered	DO NOT maneuver if the machine is NOT levelled

Equipment



Pegasus 40.25



I dati contenuti in questo stampato sono forniti a titolo indicativo; i modelli descritti sono suscettibili di modifiche, senza preavviso, da parte del costruttore, disegni e fotografie possono riferirsi a equipaggiamenti opzionali o ad allestimenti destinati ad altri paesi. Per ogni altra informazione, rivolgersi alla sede DIECI all'indirizzo a fondo scheda.
The information contained in the present publication is only intended as an indication; the models described may be modified, without notice, by the manufacturer, drawings and photographs may refer to optional equipment or to particular specifications for other countries. For any further information, please contact DIECI headquarters at the address given below.