

# Versioni T \_ T versions

<b>80.T1</b>	8160 6'12"	4450 12'9"	lbs ft			
☐ 1450 3300	3700 2,13	2020 3,89	kg m			
✂ 667 2'2"						
<b>80.T2</b>	7740 7'3"	4250 13'1"	2910 19'1"	lbs ft		
☐ 1503 3260	3510 2,22	1930 3,98	1320 5,82	kg m		
✂ 667 2'2"						
<b>80.T3</b>	7500 7'7"	4080 13'4"	2710 19'	1980 25'8"	lbs ft	
☐ 1550 3400	3400 2,30	1850 4,06	1230 5,90	900 7,82	kg m	
✂ 667 2'2"						
<b>110.T2</b>	10140 78"	5600 13'7"	3730 20'	lbs ft		
☐ 1170 2580	4600 2,35	2540 4,15	1690 6,10	kg m		
✂ 580 1'11"						
<b>110.T3</b>	9810 7'10"	5290 13'9"	3460 20'2"	2470 26'9"	lbs ft	
☐ 1300 2866	4450 2,40	2400 4,20	1570 6,15	1120 8,15	kg m	
✂ 580 1'11"						
<b>150.T2</b>	9490 8'11"	5050 13'11"	3240 20'4"	2250 26'11"	1610 33'9"	lbs ft
☐ 1740 3660	4350 2,51	2290 4,25	1470 6,20	1020 8,20	730 10,30	kg m
✂ 590 2'11"						
<b>150.T3</b>	11970 7'3"	6280 13'7"	4100 20'3"	3000 27'2"	lbs ft	
☐ 1860 4100	5430 2,20	2850 4,15	1860 6,18	1360 8,27	kg m	
✂ 712 2'4"						
<b>150.T4</b>	11350 7'7"	5950 13'11"	3840 20'7"	2760 27'6"	2140 34'7"	lbs ft
☐ 1980 4400	5150 2,30	2700 4,25	1740 6,28	1250 8,38	970 10,53	kg m
✂ 712 2'4"						

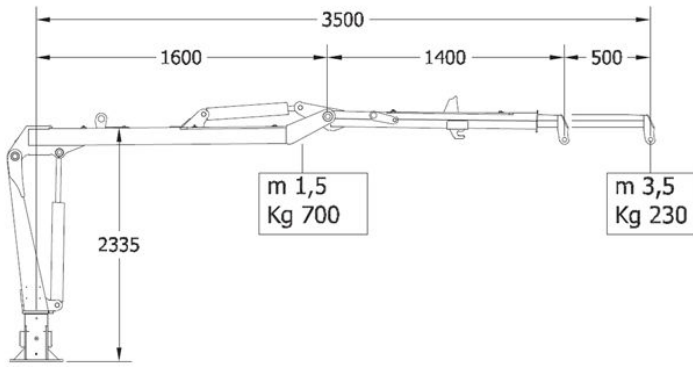
<b>180.T2</b>	15670 75"	8860 13'4"	6130 19'3"	lbs ft		
☐ 2720 6000	7110 2,27	4020 4,07	2780 5,87	kg m		
✂ 712 2'4"						
<b>180.T3</b>	15120 77"	8470 13'6"	5750 19'5"	4200 26'2"	lbs ft	
☐ 2890 6370	6860 2,32	3840 4,12	2610 5,92	1905 7,97	kg m	
✂ 712 2'4"						
<b>180.T4</b>	14400 71'1"	8020 13'10"	5380 19'9"	3850 26'6"	3000 33'2"	lbs ft
☐ 3050 6720	6530 2,42	3640 4,22	2440 6,02	1745 8,07	1360 10,12	kg m
✂ 712 2'4"						

# Versioni FS \_ FS versions

	☐ Min.t Lbs	☺				
	3,5 7720	400°				
<b>FS 26.Z1L</b>	2200 6'6"	1100 15'4"	lbs ft			
☐ 580 1276	1000 2,00	500 4,70	kg m			
<b>FS 26.Z1</b>	2200 6'6"	1210 14'1"	lbs ft			
☐ 550 1210	1000 2,0	550 4,30	kg m			
	☐ Min.t Lbs	☺				
	15 33000	415°				
<b>FS 120.Z2SC</b>	8488 9'10"	6371 13'1"	4894 16'9"	3880 20'8"	3241 24'3"	lbs ft
☐ 2275 5015	3850 3,00	2890 4,00	2220 5,10	1760 6,30	1470 7,40	kg m
<b>FS 120.Z1</b>	8422 9'10"	5600 14'9"	4101 19'8"	3153 24'11"	lbs ft	
☐ 2240 4938	3820 3,00	2540 4,50	1860 6,00	1430 7,60	kg m	
<b>FS 120.Z2</b>	8245 9'10"	5886 13'9"	4277 18'8"	3472 22'4"	2921 26'3"	lbs ft
☐ 2300 5071	3740 3,00	2670 4,20	1940 5,70	1575 6,80	1325 8,00	kg m
<b>FS 120.Z2L</b>	8080 9'10"	5379 13'1"	3924 19'8"	3031 24'7"	2469 29'6"	lbs ft
☐ 2340 5159	3665 3,00	2440 4,00	1780 6,00	1375 7,50	1120 9,00	kg m

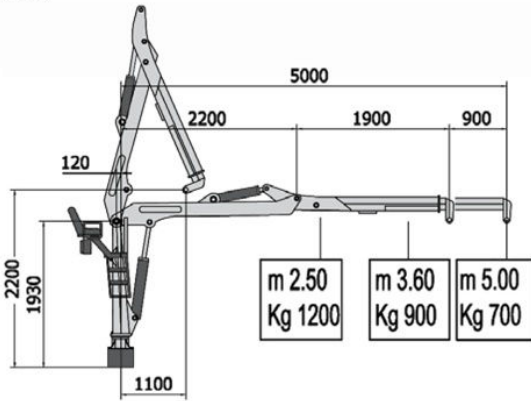
**FS 16.Z/1**  
(kg. 180)

360°



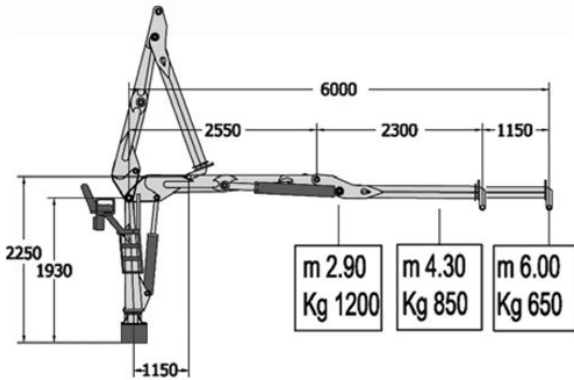
**FS 36.Z/1**  
(kg. 850)

400°



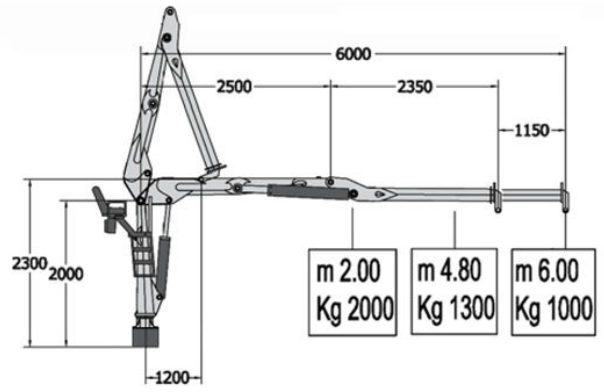
**FS 46.Z/1**  
(kg. 950)

400°

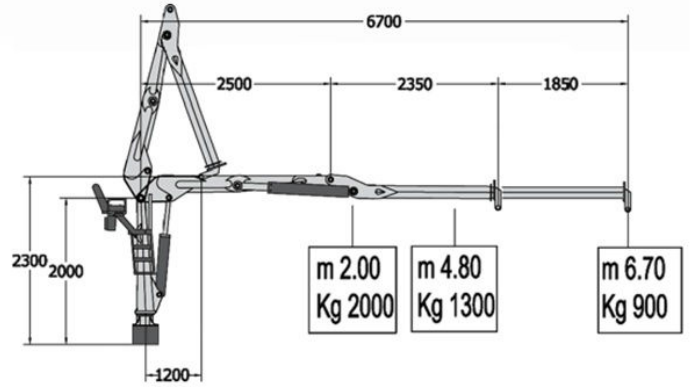


**FS 66.Z/1**  
(kg. 1250)

400°

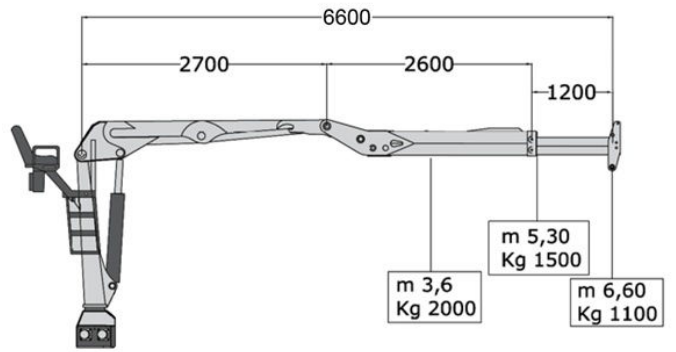


**FS 66.Z/2**  
(kg. 1350)



**FS 76.Z/1**  
(kg. 1350)

400°



**FS 76.Z/2L**  
(kg. 1500)

