

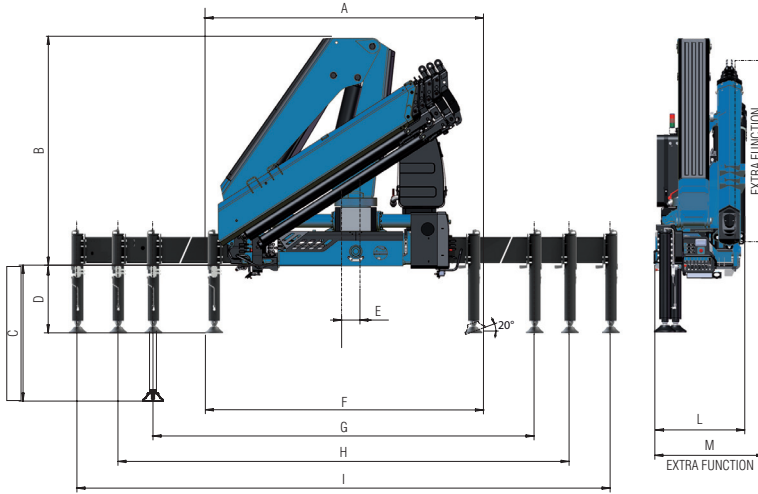
New Generation
824NG



AMCO  **VEBA**
LIFTING BEYOND HORIZONS

New Generation

Technical data 824NG



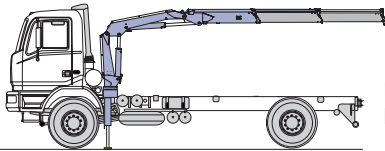
	2S	3S	4S	5S
kg	22700	5280	3610	2750
m	1,00*	4,30	6,20	8,10

	2S	3S	4S	5S
kg	21865	5085	3425	2570
m	1,00*	4,30	6,20	8,10
				10,13
				12,25
				14,46
				16,59

	2S	3S	4S	5S
kg	21155	4820	3215	2380
m	1,00*	4,39	6,29	8,19
				10,22
				12,25
				14,46
				16,59
				18,70

	2S	3S	4S	5S
kg	21490	4585	3035	2220
m	1,00*	4,47	6,37	8,27
				10,30
				12,33
				14,46
				16,59
				18,70

*) theoretical lifting capacity



Recommended truck:
M.T.T. ton 19 - G.V.W. ton 19

	2S	3S	4S	5S
A	2500	2500	2500	2500
B	2300	2300	2300	2300
C	1348	1348	1348	1348
D	611/666	611/666	611/666	611/666
E	150	150	150	150
F	2520	2520	2520	2520
G	4860	4860	4860	4860
H	5500	5500	5500	5500
I	7420	7420	7420	7420
L	930	930	930	930
M	1050	1050	1050	1120

Standard

- Designed in accordance with EN12999
- Design class: HC1-HD4
- Cross controls
- Load limit device
- Flanged valves
- Oil tank
- Manually extendable stabilizers
- Internal stabilizers pipes
- Fixed stabilizer cylinders
- Swivel stabilizer foot
- Centralized greasing system
- SGS Sprint Generation System
- SDD Soft Descent Drive
- 3XL Crane control system (CE)

	Lifting Moment	Slewing Angle	Working pressure	Oil tank capacity	Oil flow	Max Vertical Reach (Hydr)	Crane weight without stabilizers
	tm	°	bar	l	l/min	m	kg
2S	22,7	415	320	130	80	11,9	2200
3S	-	415	320	130	80	13,9	2355
4S	-	415	320	130	80	16,0	2505
5S	-	415	320	130	80	18,2	2625

AMCO VEBA
LIFTING BEYOND HORIZONS

H.C.E. s.r.l. unico socio
Via Einstein, 4
42028 Poggio (RE) Italy
Tel. +39 0522 40.80.11
Fax +39 0522 40.80.80
info@amcoveba.it
commerciale@amcoveba.it
www.amcoveba.com



ISO 9001 • ISO 14001

Dealer