

1350 CC  
1350 CX  
1370 CX  
1770 CX



**WEIDEMANN**



The perfect choice for  
barn and yard.

The small machine that packs a big punch.

The nature of the business.



1350  
1370  
1770

**COMPANIONS.**

Sharing your work with you every day. Sharing the load when the going gets tough. Sharing the growing process as the nature of your business changes. The Hoftrac® 13 and 17 families have been designed to share in everything you do. Companions for life, in fact. At every stage of development.


# Perceive, act, and harvest: Your productive way.


Farming is on the move and inspiring people as never before ...


- with yields that secure value
- with performance that safeguards the future
- with growth that offers opportunities.

Optimising the interaction of agile minds with flexible machines and flexible routines creates a bond that takes us forward together. And that's been so for more than 50 years.



 **PROGRESS REAPS REWARDS:**  
YIELDS THAT SECURE VALUE.

 **THINKING AHEAD BRINGS  
MOTIVATION:** PERFORMANCE  
THAT SAFEGUARDS THE FUTURE.

 **CARRYING ON MAKES SENSE:**  
WITH GROWTH THAT GENERATES  
OPPORTUNITY.

# Tailored to your needs: Your Hoftrac® is made to measure.

**A workplace that is home from home.** Treat yourself with low access steps on either side of the machine and a comfort seat that you adjust to your body weight and height. And not least, enjoy the space and visibility from every angle.



**Sure-footed in every respect.** The extremely low centre of gravity gives the 1770 model its unflinching stability. All four wheels stay firmly in touch with the ground and deliver maximum traction. No power is lost.

**Robust kinematics deliver enormous lift and break-out forces – thanks to two massive hydraulic rams that hold plenty of power in reserve and kinematics that provide short and efficient work cycles.** Load and unload in extremely swift cycles.

**Swap proven attachments without leaving the cab.** The attachments are locked hydraulically as a standard (option on 1350 CC). At the same time, a large choice of attachments makes your Weidemann a flexible and highly productive multi-purpose machine.

**Diversity in specifications.** Customize your machine to your specific requirements and wishes: Choose engine, cab, tyres and attachments. You always buy a tailor-made Hoftrac®.

**Impressive lift heights from a compact build.** The cranked boom offers an extremely high load rating and extra rigidity that add to the precision of your work. Operator view of the raised attachment is always excellent.

**Powerful driveline.** The engine and hydraulics are perfectly matched to provide total overall power while quiet running is assured.



1350CC



1350CX



1370CX



1770CX



# Bringing together those things that belong together: Flexibility and safety.



1



2



3

1 Joystick for robust and well-conceived machine control. The joystick is ergonomic, practical and clear, offering single-handed control of direction of travel and all kinematics without fatigue.

2 Vibration-damped workplace. The machine absorbs vibrations and shock loads to protect your health and keep you relaxed and concentrating during those long hours of work.

3 The clear machine layout brings plenty of freedom. The large field of vision, the low-profile front end and the compact dimensions enable the operator to build on his Hoftrac's® enormous agility at any time.

4 Ergonomics as an abiding principle. From the very beginning, the Hoftrac® was designed to serve the human operator and make his work easier. Hence, designing a cockpit that reflects optimized ergonomic standards was just the logical consequence. A role model for an entire generation of loaders.

5 Inherent safety. The restraint system will keep the operator safely in his station, if the machine tips over or to the side.



4



5



The foldable roof with Easy Protection System (EPS) rests on 4 safety posts. Plenty of room for comfy seating.



The sturdy protection system folds away within a minute. A well-designed, simple and sturdy system.



Passing under gates of less than 2m is no longer a problem. Once you have passed the gate, you refit the ROPS/FOPS canopy in no time at all.



The massive and protruding rear weight gives protection from damage and provides a counterweight when handling heavy loads. The cantilever design with recessed taillights provides optimum protection to the entire rear end – especially in confined space.

At the heart of the Hoftrac® concept is the proven pivoting articulation from Weidemann. All four wheels stay firmly in touch with the ground and, thanks to the front and rear end of the machine being able to pivot independently of each other, the wheels give maximum traction at all times.



1350  
1370  
1770

**In every respect:**  
A real bundle of energy.



**The Weidemann formula for success:**  
Every improvement we make saves time and effort for our customers.

The series 13 and 17 models perfectly exemplify the immeasurable value of ongoing improvement. Over the years, a lot of creative energy has gone into their development, yet now it has reached a point where they cannot be surpassed. The simple fact is that a specialist can always do more.

So we consolidate our effort into constant development to make sure Weidemann customers continue to get a better deal than everyone else. That's precisely how we conceive our corporate mission.

**Weidemann factors:**

- Easy and confident handling via joystick.
- Low front end for unobstructed view of attachments.
- Full capacity and efficiency.
- Compact build.

**Work lights at the front and rear.**

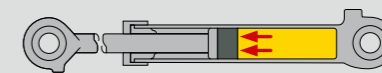
Good vision and safe working at any time during day and night and in any place where in the past poor lighting has made it difficult or impossible to operate machines. Your Hoftrac® turns into a dependable 24-hour machine. A true ray of light.



1350  
1370  
1770

**Perfectly orchestrated PZ kinematics on the 1770 model** ensure maximum utilization of its available force and advance speed as it crowds and tips the bucket, releasing high lift and break-out forces in short cycles. In addition, the system gives parallel lift arm control throughout the entire lift range.

1 Crowding with plenty of power.



2 Dumping effectively and fast.



Technology that makes sense: Experience, experimentation and innovation.

**BEST-SELLING MODELS.**

*"With machinery too, it's possible to fall in love at first sight – I was smitten with our 1370 the moment I saw it and took my first test drive. And since then, my whole team has taken this pint-sized power pack to their hearts."*

A. Micino, Italy  
Fruit farmer



**Tilt cab.** The straightforward and quick access to engine, hydraulic system and electrics is our customers' favourite feature, because they save time and money on service and maintenance.



1350  
1370  
1770

Sure it's convenient. Simply drive up to the attachment, pick it up hydraulically without leaving the cab and lock / unlock while you watch. Work is so much easier now.

Best-sellers are always remarkable. That's obviously because they come close to meeting the customer's ideal specification.

It is only when customers find a product attractive enough to actually buy it that we can claim to have a market success. It is you alone who determine whether a product has the quality that counts. That's why we take your suggestions really seriously and combine them with own ideas on useful technology and simple operation. That's how we turn reflection into prediction. And first-class quality into an all-round winner.

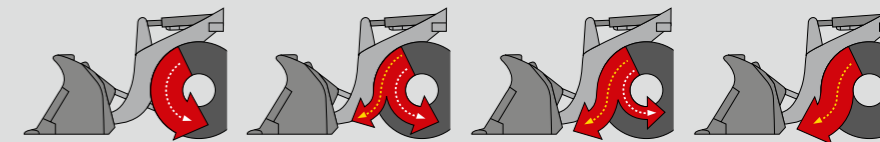
We've learned both of these tricks from listening to you, our customers.



**Maintenance, service, value retention.** Buyers who opt for a Weidemann machine opt for high dependability. Every day. For peace of mind.



**USING THE INCH-BRAKE PEDAL TRANSFERS ALL POWER TO THE HYDRAULIC CIRCUIT THAT OPERATES THE BOOM.**



**Inch-brake pedal.** Using only one pedal for inching significantly reduces wear on the brake and increases precision at any moment – also when handling heavy loads.



Stepping out in style:  
With a Weidemann as your companion.

Ultimate performance –  
Weidemann Classic (CC).

1350  
1370  
1770



Anyone who appreciates a product that concentrates on the essentials will certainly home in on one of the Weidemann Classic models. These can be recognised by the CC badging. **Choosing a genuine Weidemann is not such a tough decision to make.**

It is possible to come up with a precise definition of quality in terms of technical performance and economic operation. The specific quality of a Weidemann has to do with its level of specification and your personal requirements.

All Weidemann CX models in their various power classes tick nearly every box. They meet all requirements and provide all functions, offer plenty of operator comfort and have all the hydraulic and technical means to use high-grade attachments.

In their individual ranges, they embody those versions that have been asked for and ordered by our customers over many years. Their configuration and level of specification have proven themselves well over the years in this form and represent a sound and practical basis upon which to make a purchase decision.

Long-term costs, a precision application profile and documented long-term viability – that's the world of the Weidemann CC models.

It is not the price alone that counts. Today, machine lifecycle costs are as much an issue as lean production of farming equipment and services.

The inspiration for designing a CC series was born from the experience that the versatility and diversity in specification as offered by the standard CX models did not hold the same importance for all customers. So, we developed a specific version for those who appreciate high-quality Weidemann technology in combination with a straightforward level of base specifications and a wide variety of options.

This way, Weidemann customers can customize these models to their very specific requirements and save a goodly sum of money.





Hoftracs® at work – day in, day out: There is no better evidence of performance.

1350  
1370  
1370



**Their practical aspects are the best.** Every day, these machines show what they are made of: Vigour, versatility and the capacity to instantly get down to business. Highest efficiency and the best result within no time.

“Energy takes effect.”



TECHNICAL DATA		1350 CC45	1350 CX45	1350 CX45 Cab	1370 CX50	1370 CX50 Cab	1770 CX50	1770 CX50 Cab
ENGINE SPECIFICATIONS								
Manufacturer		Perkins	Perkins	Perkins	Perkins	Perkins	Perkins	Perkins
Engine type		404 D- 22 de	404 D- 22 de	404 D- 22	404 D- 22	404 D- 22	404 D- 22	404 D- 22
Cylinders		4	4	4	4	4	4	4
Max. output	kW	31.4	31.4	35.7	35.7	35.7	35.7	35.7
at	rpm	2600	2600	2600	2600	2600	2600	2600
Cubic capacity	cm <sup>3</sup>	2216	2216	2216	2216	2216	2216	2216
Cooling system		Water	Water	Water	Water	Water	Water	Water
ELECTRIC SYSTEM								
Operating voltage	V	12	12	12	12	12	12	12
Battery	Ah	77	77	77	77	77	77	77
Alternator	A	65	65	65	65	65	65	65
WEIGHTS								
Operating weight (Standard)	kg	2550	2740	2870	2780	2880	2810	2950
Max. lift force	daN	2743	2743	2743	2743	2743	3229	3229
Tipping load in bucket (ISO 8313)								
Lift mast horizontal / machine is not articulated	kg	1689	1972	2083	1997	2120	1687	1856
Lift mast horizontal / machine is articulated	kg	1361	1563	1743	1604	1786	1362	1522
Tipping load on pallet fork (ISO 8313)								
Lift mast horizontal / machine is not articulated	kg	1342	1556	1653	1575	1673	1353	1458
Lift mast horizontal / machine is articulated	kg	1074	1249	1375	1265	1425	1092	1203
MACHINE								
Ground speed (Option)	km/h	0 - 20 (30)	0 - 20 (30)	0 - 20 (30)	0 - 20 (28)	0 - 20 (28)	0 - 20 (28)	0 - 20 (28)
Fuel tank capacity	l	50	50	50	50	50	53	53
Hydraulic oil	l	30	30	30	30	30	30	30
HYDRAULIC SYSTEM								
Transmission hydraulics								
Oil flow	l/min	72.8	72.8	72.8	72.8	72.8	72.8	72.8
Operating pressure	bar	360	360	360	450	450	450	450
External services								
Oil flow	l/min	49.4	49.4	49.4	49.4	49.4	49.4	49.4
Operating pressure	bar	210	210	210	210	210	210	210

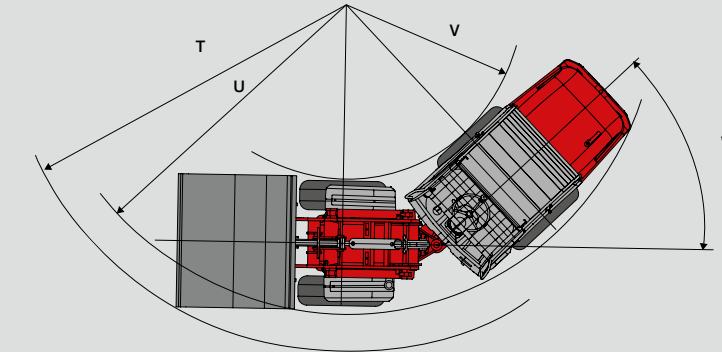
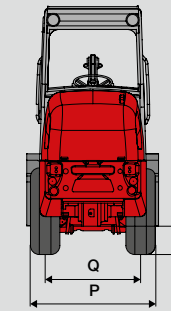
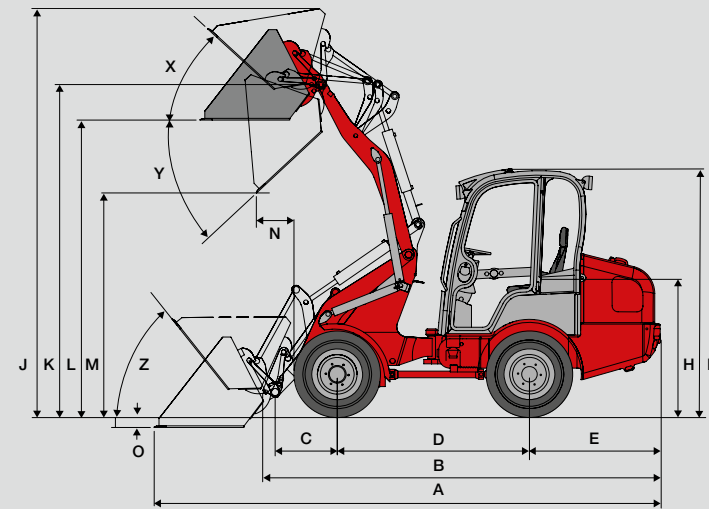
All technical data in this brochure refer to series models that have been tested under operating conditions typical of Central Europe and describe their standard functions. Specifications and their modes of functionality as well as accessories listed in this brochure depend on the individual model and on the options available with a particular product as well as the statutory requirements of the country of sale. Illustrations used in this brochure may show products that have not been mentioned or that are not available as series production machines. The descriptions, illustrations, weights and technical data published herein are non-binding in nature and represent the technical status at the time the document went to press. Because of ongoing development, we reserve the right to make changes, without prior notice, to the design, specification, visual appearance and technology of our products. Should you require special functions that would be available only by using additional components and/or under special circumstances, please feel free to contact us. We will be happy to answer any questions you may have and to provide further information regarding whether and under what conditions applying to the product and the target environment such special functions might be feasible. If you have any concerns about the load capacity or operation of our products in certain working conditions or environments, we recommend that you perform a test run under controlled conditions. Despite meticulous attention to detail, we cannot exclude the possibility that our products may not conform to illustrations or stated dimensions, or that errors may have occurred in calculation or during printing, or that the information given here may be incomplete. Consequently, we do not accept liability for the accuracy or completeness of the information supplied in this brochure. All matters relating to our product warranty are contained within our General Terms and Conditions. We expressly decline to provide additional guarantees. Any liability over and above that contained within our General Terms and Conditions is excluded.

STANDARD SPECIFICATION

1350 CC 1350 CX 1370 CX 1770 CX

DRIVELINE	1350 CC	1350 CX	1370 CX	1770 CX
Hydrostatic four-wheel drive	●	●	●	●
Weidemann T94 axle	●	●	●	●
PA940 planetary axle	-	-	●	●
Pto gearbox and driveshaft	●	●	●	●
10.0/75 - 15.3 AS ET80 tyres incl. reversible rims	●	●	●	○
10.0/75 - 15.3 AS ET40 tyres incl. reversible rims	○	○	○	●
Diff lock in front and rear axles, 100% electrically selectable	○	●	●	●
HYDRAULIC SYSTEM				
Single-handed control with float position next to the seat on the right	●	●	●	●
Joystick	●	●	●	●
Hydraulic oil cooler	●	●	●	●
Hydraulic connector DN12 at front	●	●	●	●
Mechanical quick-fit system for attachments (HV form)	●	-	-	-
Hydraulic quick-fit system for attachments	○	●	●	●
Fully hydraulic pivoting articulation	●	●	●	●
CAB				
Roof with restraint system, ROPS/ROPS certified	●	●	●	●
Comfort cab with heating and ventilation system	-	●	●	●
Wipers on front and rear windows	-	●	●	●
Side-tilt cab	●	●	●	●
Suspension comfort seat with seat belt	●	-	-	-
Full suspension comfort seat with seat belt, height-adjustable	○	●	●	●
Front work lights	●	●	●	●
Rear work lights	●	●	●	●
Fuel gauge	●	●	●	●
Hour meter	●	●	●	●
Lighting in compliance with German traffic law	○	○	○	○
German MOT expertise for road travel	○	○	○	○
OTHER EQUIPMENT				
Battery cut-off switch	●	●	●	●

● Standard  
○ Option



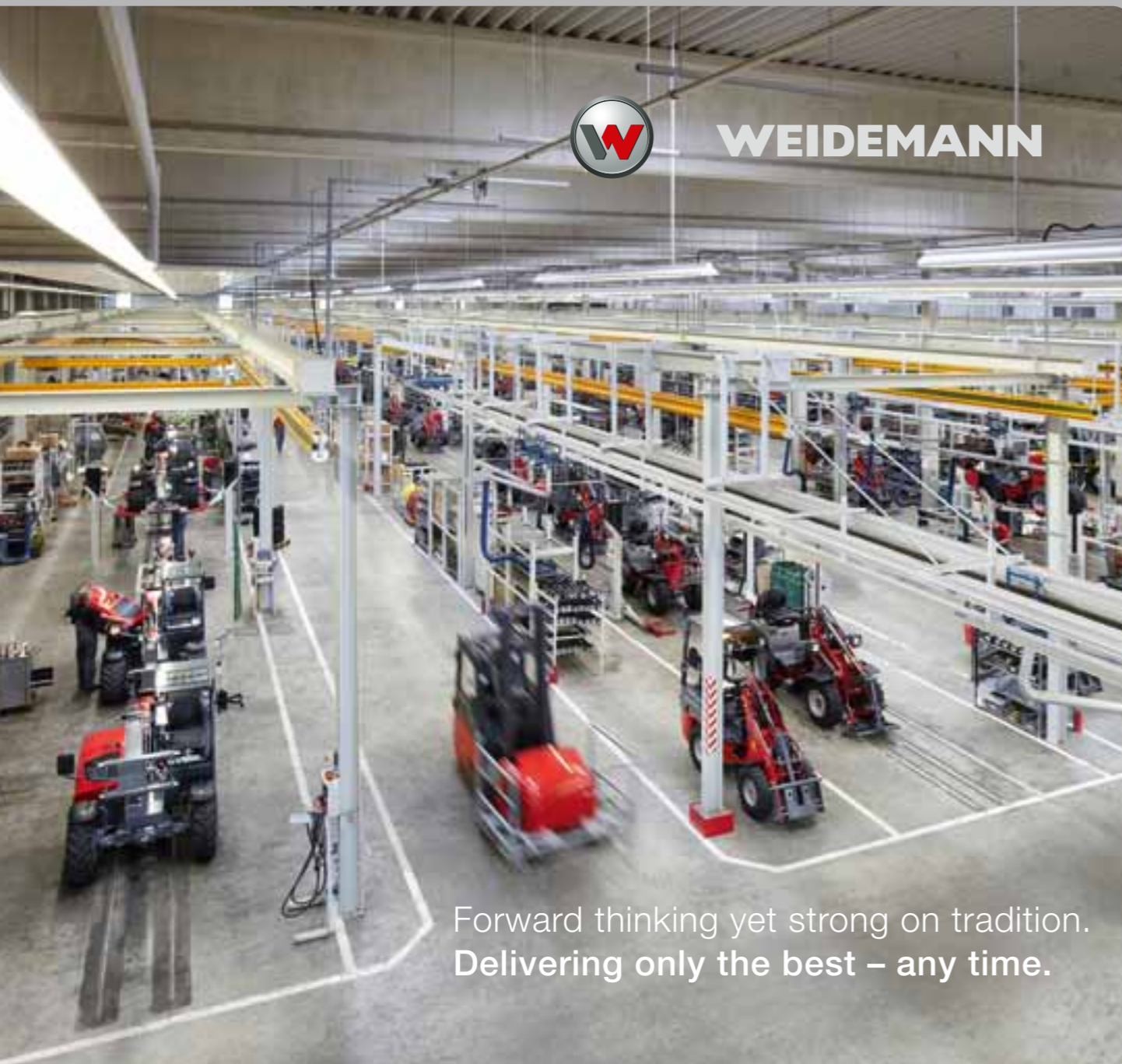
1350  
1370  
1770

DIMENSIONS mm	1350 CC45	1350 CX45	1350 CX45 Cab	1370 CX50	1370 CX50 Cab	1770 CX50	1770 CX50 Cab
A Overall length*	4523 (4869)	4563 (4909)	4563 (4909)	4563 (4909)	4563 (4909)	4719	4719
B Overall length excl. bucket	3546 (3889)	3586 (3929)	3586 (3929)	3586 (3929)	3586 (3929)	3743	3743
C Axle middle to bucket pivot pin	560 (1015)	560 (1015)	560 (1015)	560 (1015)	560 (1015)	722	722
D Wheelbase	1732	1732	1732	1732	1732	1732	1732
E Rear overhang	1142	1182	1182	1182	1182	1182	1182
F Height	2225	2225	2240	2225	2240	2225	2240
Height above foldable overhead guard	2339	2339	-	2339	-	2339	-
Height above foldable overhead guard, folded	1823	1823	-	1823	-	1823	-
H Seat top height	1245	1245	1245	1245	1245	1245	1245
J Overall working height*	3687 (4045)	3687 (4045)	3687 (4045)	3687 (4045)	3687 (4045)	3927	3927
K Max. height at bucket pivot pin	3000 (3197)	3000 (3197)	3000 (3197)	3000 (3197)	3000 (3197)	3194	3194
L Unloading height*	2681 (2878)	2681 (2878)	2681 (2878)	2681 (2878)	2681 (2878)	2865	2865
M Dump height*	2024 (2233)	2024 (2233)	2024 (2233)	2024 (2233)	2024 (2233)	2283	2283
N Reach at M*	339 (593)	339 (593)	339 (593)	339 (593)	339 (593)	496	496
O Bucket digging depth*	89 (138)	89 (138)	89 (138)	89 (138)	89 (138)	150	150
P Overall width	1044	1044	1044	1044	1044	1124	1124
Q Track width	780	780	780	780	780	860	860
S Ground clearance	250	250	250	250	250	250	250
T Maximum radius*	2879 (3034)	2879 (3034)	3124 (3270)	2879 (3034)	3124 (3270)	3419	3419
U Outer turning radius	2531	2531	2792	2531	2792	3011	3011
V Inner turning radius	1327	1327	1615	1327	1615	1812	1812
W Articulation angle	50°	50°	44°	50°	44°	40°	40°
X Roll back angle at max. lift height*	43° (65°)	43° (65°)	43° (65°)	43° (65°)	43° (65°)	56°	56°
Y Max. dump angle*	43° (42°)	43° (42°)	43° (42°)	43° (42°)	43° (42°)	37°	37°
Z Roll back angle at ground level*	52° (57°)	52° (57°)	52° (57°)	52° (57°)	52° (57°)	50°	50°

\* Figure refers to light material bucket Figures in ( ) refer to full lift height

WIDTH / REVERSED mm	1350 CC45	1350 CX45	1350 CX45 Cab	1370 CX50	1370 CX50 Cab	1770 CX50	1770 CX50 Cab
10.0/75 - 15.3 AS ET80	1044* / 1380*	1044* / 1380*	1044* / 1380*	1044* / 1380*	1044* / 1380*	1044 / 1380	1044 / 1380
10.0/75 - 15.3 AS ET40	1120 / 1300	1120 / 1300	1120 / 1300	1120 / 1300	1120 / 1300	1120* / 1300*	1120* / 1300*
10.0/75 - 15.3 AS ET-5	1210	1210	1210	1210	1210	1210	1210
11.5/80 - 15.3 AS ET40	-	-	-	1160 / 1340	1160 / 1340	1160 / 1340	1160 / 1340
15.0/55 - 17 AS ET0	-	-	-	1300	1300	1300	1300
31 x 15.5 - 15 AS ET0	1320	1320	1320	1320	1320	1320	1320
31 x 15.5 - 15 AS ET-37	1400	1400	1400	1400	1400	1400	1400
10 x 16.50 EM ET40	1120 / 1300	1120 / 1300	1120 / 1300	1120 / 1300	1120 / 1300	1120 / 1300	1120 / 1300
12 x 16.50 EM ET45	-	-	-	1150 / 1350	1150 / 1350	1150 / 1350	1150 / 1350
31 x 15.5 - 15 EM ET0	-	-	-	1320	1320	1320	1320
31 x 15.5 - 15 EM ET-37	-	-	-	1400	1400	1400	1400
10.0/75 - 15.3 AS dual wheels	1650	1650	1650	1650	1650	1650	1650

\* Standard specification



**WEIDEMANN**

Forward thinking yet strong on tradition.  
Delivering only the best – any time.

	Max. engine output	Operating weight	Max. bucket tipping load	Standard width
<b>HOFTRAC®</b>				
1130 CX30	18,5 kW	1530 kg	776 kg	850 mm
1140 CX30	18,5 kW	1550 kg	798 kg	850 mm
1160 CC30	18,5 kW	1910 kg	905 kg	1044 mm
1160 CC35	24,4 kW	2060 kg	994 kg	1044 mm
1230 CX30	18,5 kW	1920 kg	1064 kg	900 mm
1230 CX35	24,6 kW	1950 kg	1126 kg	900 mm
1240 CX35 LP	24,4 kW	1840 kg	1118 kg	970 mm
1240 CX35	24,6 kW	2080 kg	1158 kg	970 mm
1250 CC35	24,6 kW	2170 kg	1057 kg	1044 mm
1250 CX35	24,6 kW	2290 kg	1262 kg	1044 mm
1250 CX35 Cab	24,6 kW	2550 kg	1562 kg	1044 mm
1350 CC45	31,4 kW	2550 kg	1689 kg	1044 mm
1350 CX45	31,4 kW	2700 kg	1972 kg	1044 mm
1350 CX45 Cab	31,4 kW	2870 kg	2083 kg	1044 mm
1370 CX50	35,7 kW	2780 kg	1997 kg	1044 mm
1370 CX50 Cab	35,7 kW	2880 kg	2120 kg	1044 mm
1770 CX50	35,7 kW	2740 kg	1687 kg	1120 mm
1770 CX50 Cab	35,7 kW	2950 kg	1856 kg	1120 mm
<b>WHEEL LOADERS</b>				
2070 CX50 LP	35,7 kW	3270 kg	2300 kg	1415 mm
2070 CX80 LP	58,0 kW	3360 kg	2413 kg	1415 mm
2070 CX50	35,7 kW	3630 kg	2585 kg	1415 mm
2070 CX80	58,0 kW	3730 kg	2688 kg	1415 mm
3070 CX60 LP	45,0 kW	4390 kg	2851 kg	1538 mm
3070 CX80 LP	58,0 kW	4390 kg	2851 kg	1538 mm
3070 CX60	45,0 kW	4660 kg	3009 kg	1580 mm
3070 CX80	58,0 kW	4660 kg	3009 kg	1580 mm
4070 CX80 LP	58,0 kW	5230 kg	3002 kg	1750 mm
4070 CX80	58,0 kW	5480 kg	3356 kg	1750 mm
4070 CX100	74,5 kW	5730 kg	3766 kg	1750 mm
8080 CX120	88,0 kW	8400 kg	5400 kg	2240 mm
<b>TELEHANDLERS</b>				
2070 CX50 LP T	35,7 kW	3750 kg	2090 kg	1415 mm
2070 CX80 LP T	58,0 kW	3860 kg	2209 kg	1415 mm
2070 CX50 T	35,7 kW	3970 kg	2291 kg	1415 mm
2070 CX80 T	58,0 kW	4090 kg	2457 kg	1415 mm
3070 CX60 LP T	45,0 kW	4910 kg	2634 kg	1538 mm
3070 CX80 LP T	58,0 kW	4910 kg	2634 kg	1538 mm
3070 CX60 T	45,0 kW	5210 kg	2713 kg	1580 mm
3070 CX80 T	58,0 kW	5210 kg	2713 kg	1580 mm
4070 CX80 T	58,0 kW	5580 kg	3315 kg	1750 mm
4070 CX100 T	74,5 kW	5800 kg	3571 kg	1750 mm
T4512 CC35	22,6 kW	2530 kg	1200 kg (Payload)	1560 mm
T6025 CC70	50,0 kW	4730 kg	2500 kg (Payload)	1960 mm



**High-quality powder coat finish.**  
The aim is quality that lasts. Sustainability for everyone.

**Honest quality through and through.**  
High-grade materials that have strength in reserve. That's Weidemann.



# WEIDEMANN



We consider it our ongoing mission to abide by our pledge to provide quality products and services:

**Reliability, credibility, flexibility, innovation, quality and responsiveness.**

Compact machines from Weidemann deliver in environments where our competitors will simply walk away. Our products impress by virtue of their quality, power, dependable hydraulics, compact dimensions, innovative technology, maximum productivity and operational reliability.

**Weidemann GmbH**  
Mühlhäuser Weg 45-49  
34519 Diemelsee-Flechtdorf  
Germany  
Tel. +49(0)5633 609-0  
Fax +49(0)5633 609-666  
info@weidemann.de  
www.weidemann.de